

Wire Cable Baskets

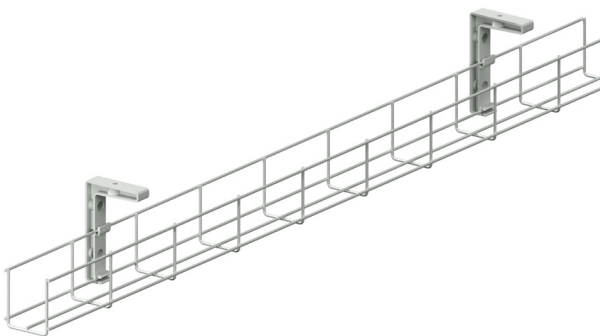
AT A GLANCE...

- Type: Single Tier, Dual Tier & Back-to-Back
- Lengths: 950, 1250, 1550, 1750mm
- Size: 50mm deep & 60mm high
- Material: 3mm steel wire
- Finish: White powdercoat

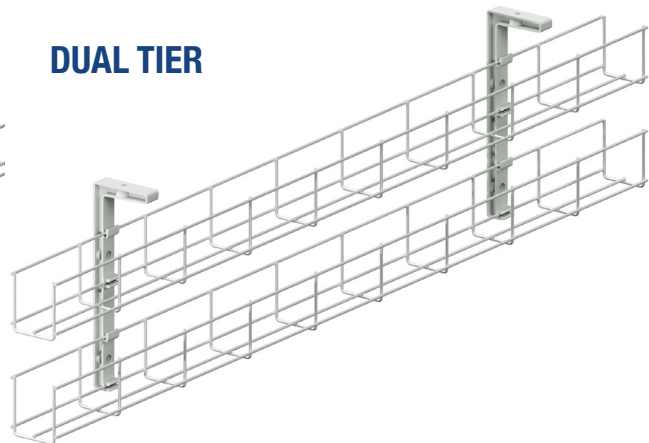
“Easy as ECD®”

- Designed to manage power and data cables below desk/workstation.
- Available in Single Tier, Dual Tier and Back-to-Back configurations.
- Stocked lengths – 950mm, 1250mm, 1550mm and 1750mm. Can also be cut to length on site.
- For a quick and easy installation, simply screw mounting brackets supplied to the underside of desk/workstation and ‘click’ wire basket into place.
- Can be used in conjunction with under desk mounting brackets to accommodate soft wired power modules and data.
- Open frame design encourages airflow and reduces cable heat build-up.
- Robust steel wire construction, powdercoated white.

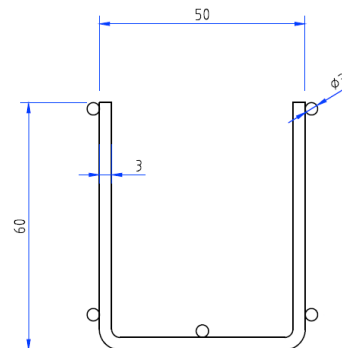
SINGLE TIER



DUAL TIER



BACK-TO-BACK



SECTION VIEW



ESTABLISHED 1979

Electric Cable Duct Systems P/L

1300 123 ECD (323) info@ecd.net.au

www.ecd.net.au

ABN 80005544105

WIRE CABLE BASKETS

SINGLE TIER

DESCRIPTION	LENGTH	INCLUDES	PART NO.
1 x Single Tier Wire Basket	950mm	2 x Mounting Brackets	WB950T1
1 x Single Tier Wire Basket	1250mm	2 x Mounting Brackets	WB1250T1
1 x Single Tier Wire Basket	1550mm	2 x Mounting Brackets	WB1550T1
1 x Single Tier Wire Basket	1750mm	2 x Mounting Brackets	WB1750T1

DUAL TIER

DESCRIPTION	LENGTH	INCLUDES	PART NO.
2 x Single Tier Wire Baskets	950mm	2 x Mounting Brackets	WB950T2
2 x Single Tier Wire Baskets	1250mm	2 x Mounting Brackets	WB1250T2
2 x Single Tier Wire Baskets	1550mm	2 x Mounting Brackets	WB1550T2
2 x Single Tier Wire Baskets	1750mm	2 x Mounting Brackets	WB1750T2

BACK-TO-BACK

DESCRIPTION	LENGTH	INCLUDES	PART NO.
2 x Single Tier Wire Baskets (Back-to-Back)	950mm	2 x Mounting Brackets	WB950BB
2 x Single Tier Wire Baskets (Back-to-Back)	1250mm	2 x Mounting Brackets	WB1250BB
2 x Single Tier Wire Baskets (Back-to-Back)	1550mm	2 x Mounting Brackets	WB1550BB
2 x Single Tier Wire Baskets (Back-to-Back)	1750mm	2 x Mounting Brackets	WB1750BB

ACCESSORIES

DESCRIPTION	PART NO.	COLOUR
Under Desk Mounting Bracket suits 2 or 4 gang Power Modules	PMB	Nominate (see below)
Under Desk Mounting Bracket suits up to 6 x data (data bezels supplied)	DMB	Nominate (see below)
Under Desk Mounting Bracket suits 2 or 4 gang Power Modules & up to 6 x data (data bezels supplied)	PDMB	Nominate (see below)
Surface Mount Bracket suits 2 x 2 or 1 x 4 gang Power Module	PSMB	Nominate (see below)

Nominate Colour/Finish: BK=Black, WE=White

Wire baskets are **supplied with** mounting brackets – below images for reference only.



WBMBT1
SINGLE TIER



WBMBT2
DUAL TIER



WBMBBB
BACK TO BACK