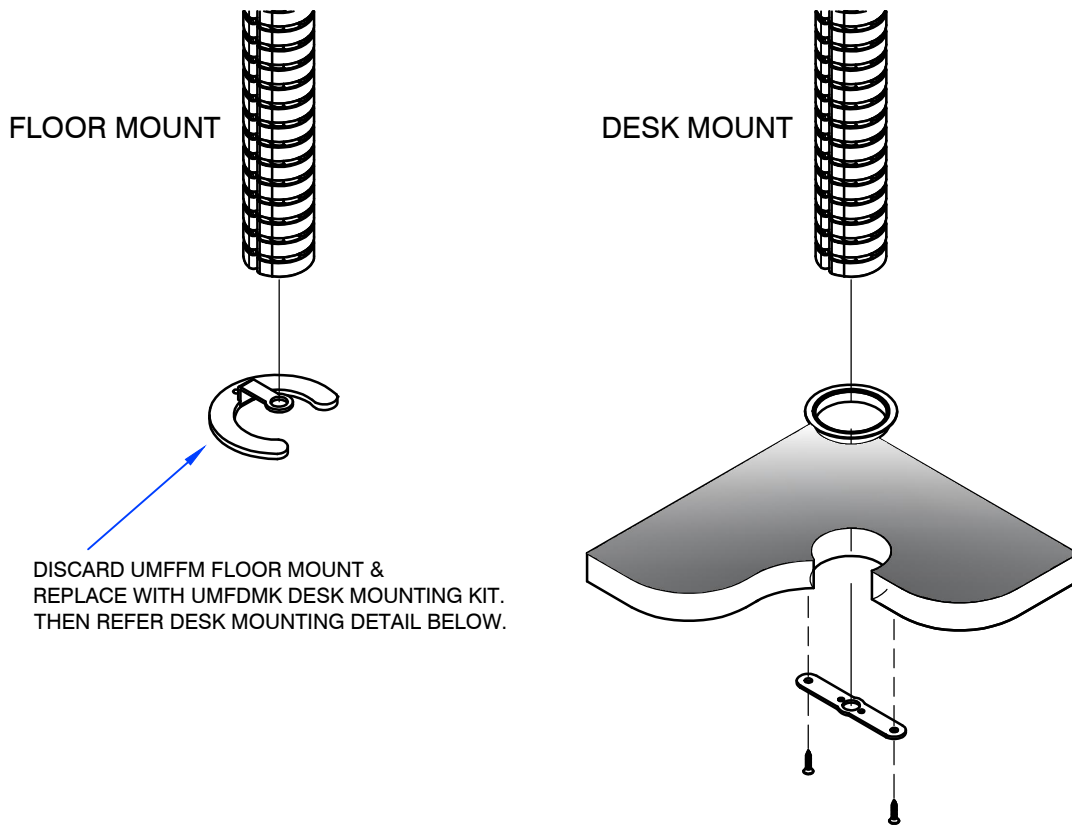


# CONVERSION OF FLOOR MOUNT TO DESK MOUNT



ECD

ECD

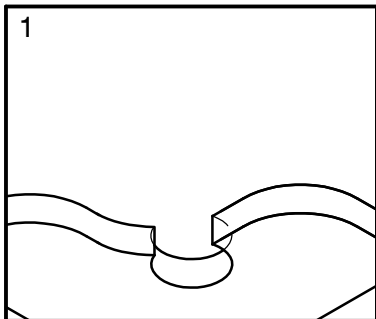
ECD

ECD

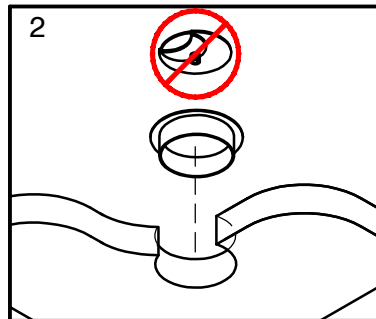
ECD

ECD

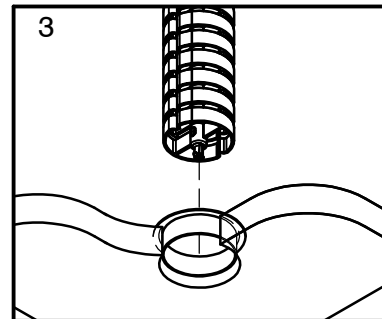
## DESK MOUNTING DETAIL



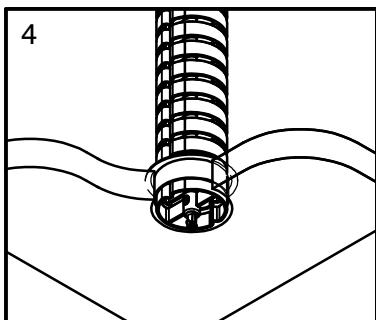
1 CUT 80MMØ OPENING IN DESIRED LOCATION ON DESK TOP.



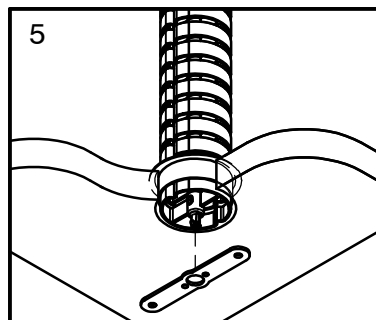
2 FIT CABLE GROMET TO OPENING IN TOP OF DESK. DISCARD ACCESS COVER.



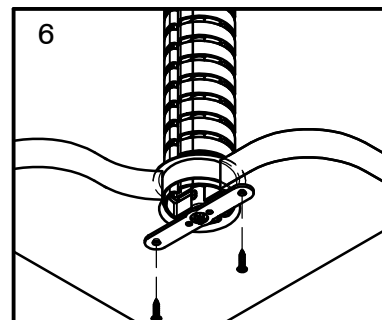
3 NOTE: GROMET MAY REQUIRE SUITABLE ADHESIVE TO SECURE IN POSITION.



4 INSERT BOTTOM OF UMBILICAL THROUGH CABLE GROMET.



5 FIT UNDER DESK MOUNT BRACKET TO BOTTOM OF UMBILICAL.



6 MARK & DRILL HOLES TO MOUNT UNDER DESK BRACKET. SECURE BRACKET TO UNDERSIDE OF DESK USING SCREWS PROVIDED\*. \*FIRST ENSURE TO CHECK SCREWS PROVIDED FOR SUITABILITY PRIOR TO USE.