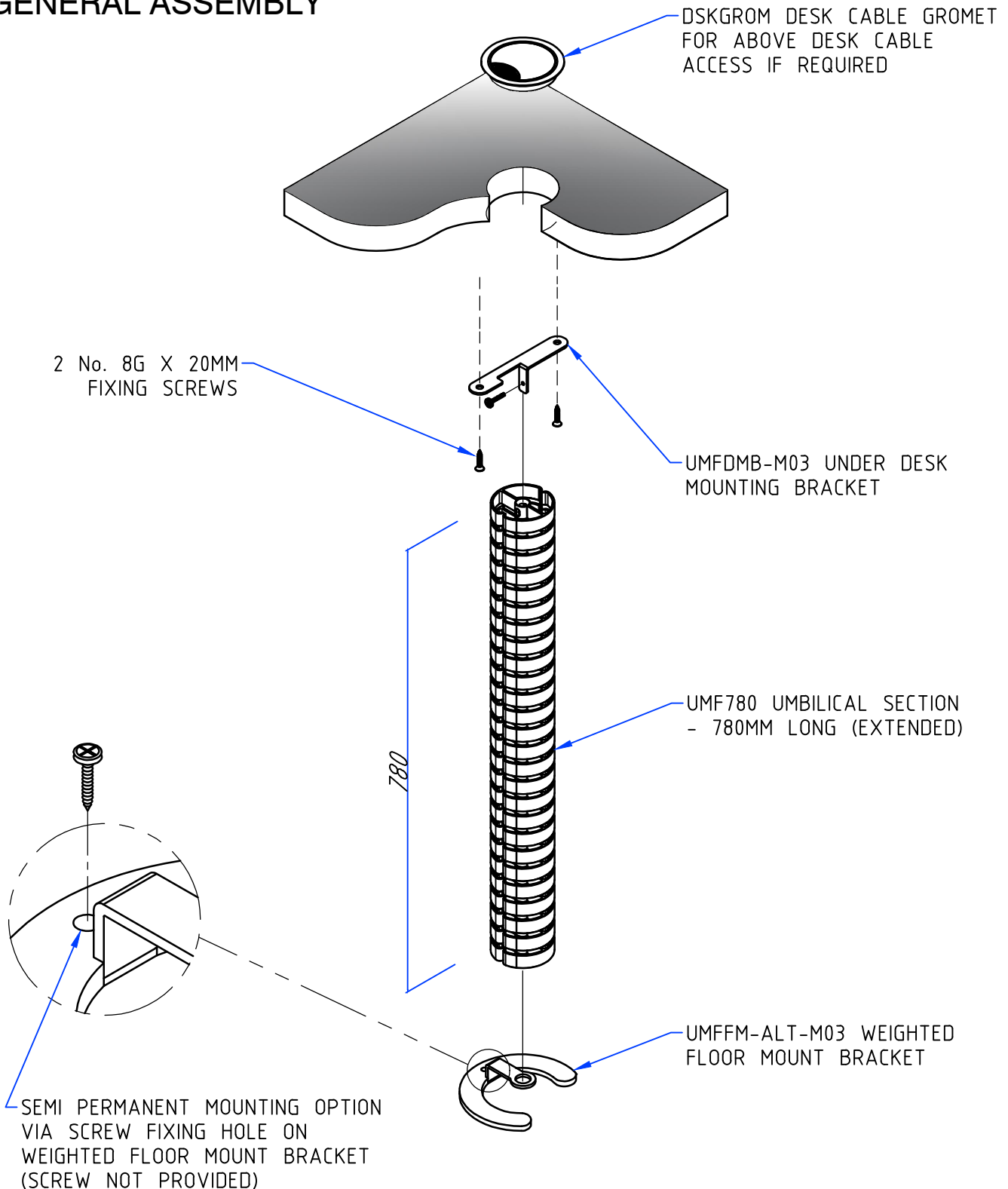


UMF780 FIT OFF GUIDE

GENERAL ASSEMBLY



ECD

ECD

ECD

ECD

ECD

ECD



ESTABLISHED 1979

Electric Cable Duct Systems Pty. Ltd.

Ph: 1300 123 ECD (323) Fax: (03) 9899 5042

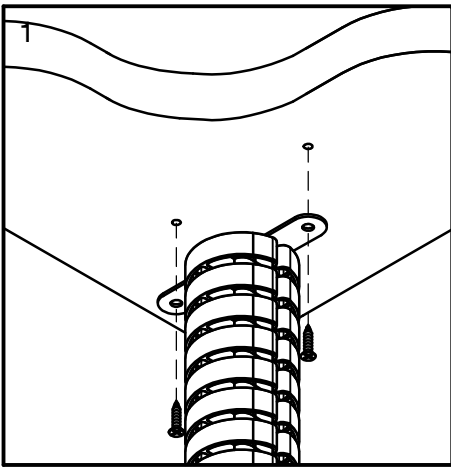
Email: info@ecd.net.au

www.ecd.net.au

ABN 80005544105

FOR PACKING & SHIPPING CONVENIENCE THIS UMF780 UNDER DESK UMBILICAL HAS BEEN SUPPLIED PARTIALLY ASSEMBLED. TO COMPLETE THE ASSEMBLY SIMPLY SNAP TOGETHER THE 2 SECTIONS AT POINTS A & B, THEN THE WEIGHTED FOOT AT POINT C. NOTE THE INDIVIDUAL UMBILICAL SEGMENTS CAN EASILY BE REMOVED TO REDUCE THE OVERALL HEIGHT FOR FITTING BETWEEN FLOOR & UNDERSIDE OF THE DESK.

**MOUNTING DETAIL FOR UNDER DESK
CABLE ACCESS EG- CABLE BASKET, DESK BOX, ETC**

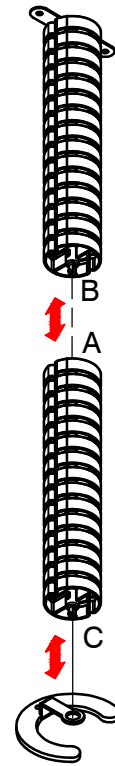


POSITION UMBILICAL IN DESIRED LOCATION.

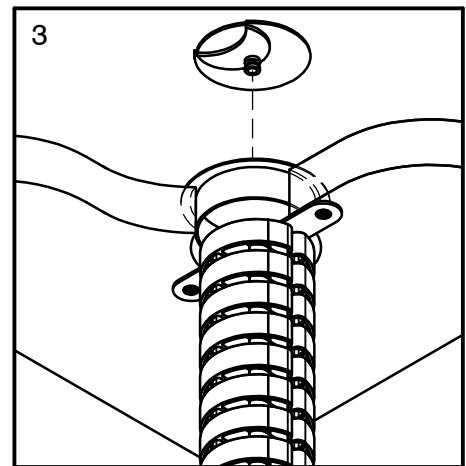
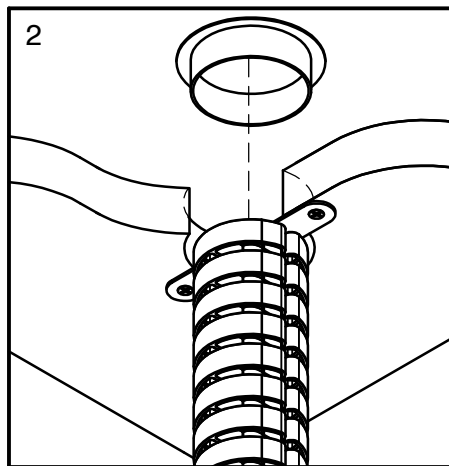
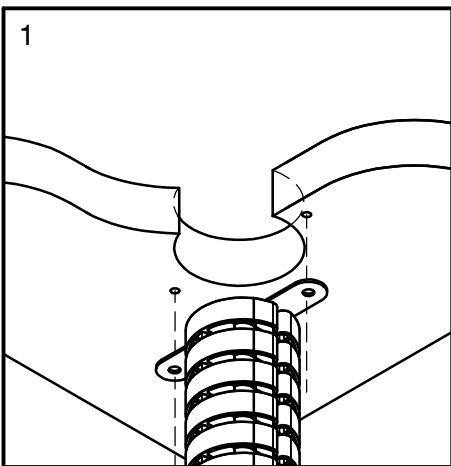
MARK & DRILL HOLES TO MOUNT UNDER DESK BRACKET.

SECURE BRACKET TO UNDERSIDE OF DESK USING SCREWS PROVIDED*.

*FIRST ENSURE TO CHECK SCREWS PROVIDED FOR SUITABILITY PRIOR TO USE.



**MOUNTING DETAIL FOR ABOVE DESK
CABLE ACCESS EG- COMPUTER, PHONE, ETC**



CUT 80MMØ OPENING IN DESIRED LOCATION.

WITH UMBILICAL POSITIONED BELOW OPENING MARK & DRILL HOLES TO MOUNT UNDER DESK BRACKET.

SECURE BRACKET TO UNDERSIDE OF DESK USING SCREWS PROVIDED*.

*FIRST ENSURE TO CHECK SCREWS PROVIDED FOR SUITABILITY PRIOR TO USE.

FIT CABLE GROMMET TO OPENING IN TOP OF DESK.

NOTE: MAY REQUIRE SUITABLE ADHESIVE TO SECURE IN LOCATION.

ACCESS COVER SNAPS INTO POSITION IN TOP OF CABLE GROMMET.