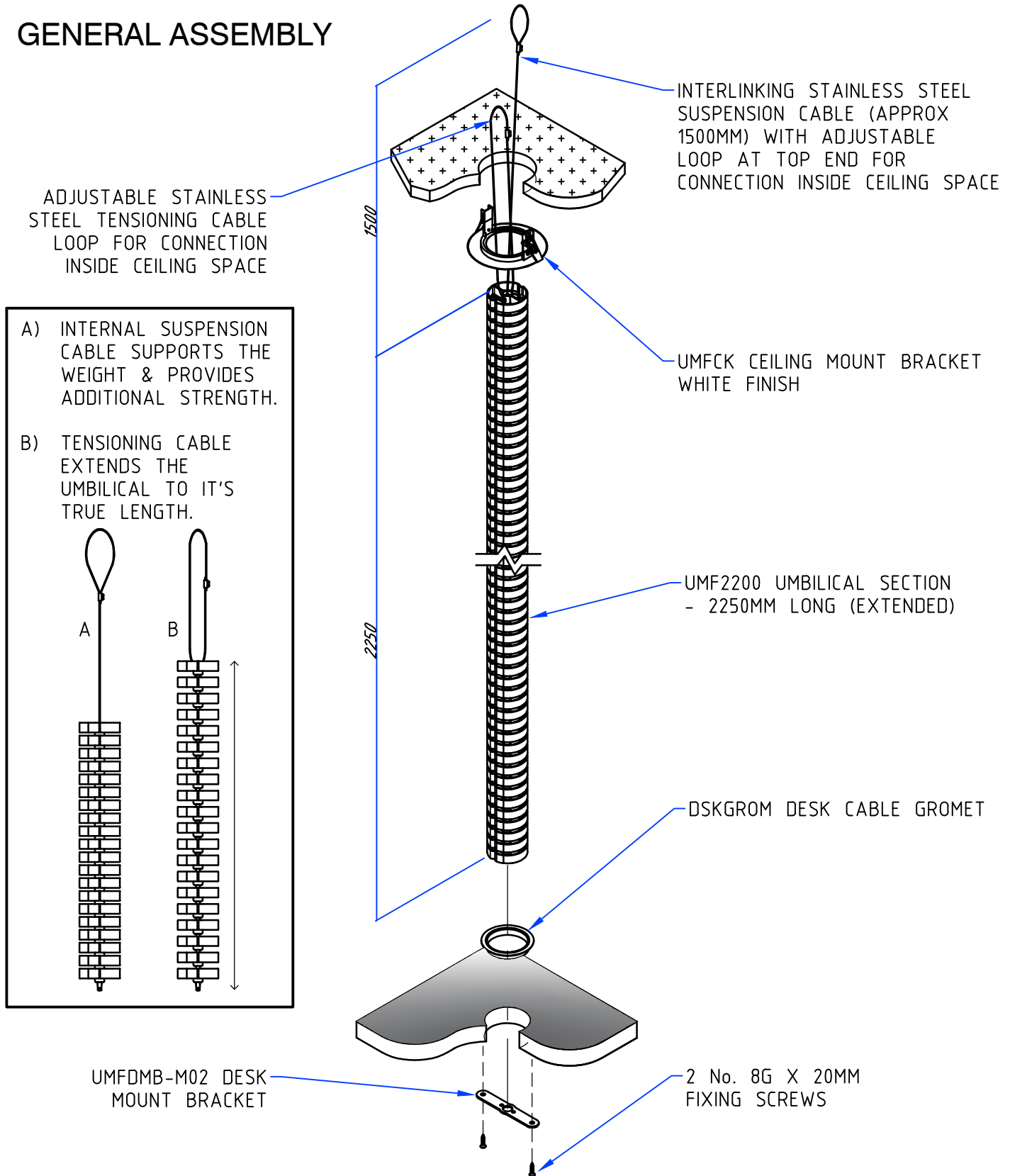


UMF2200DM FIT OFF GUIDE

GENERAL ASSEMBLY



ECD ECD ECD ECD ECD ECD ECD



ESTABLISHED 1979

Electric Cable Duct Systems Pty. Ltd.

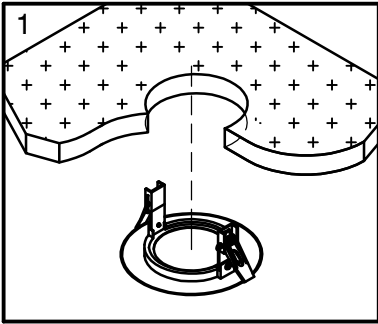
Ph: 1300 123 ECD (323) Fax: (03) 9899 5042

Email: info@ecd.net.au

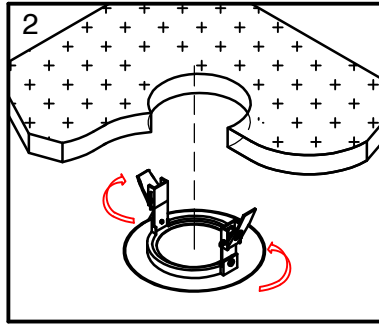
www.ecd.net.au

ABN 80005544105

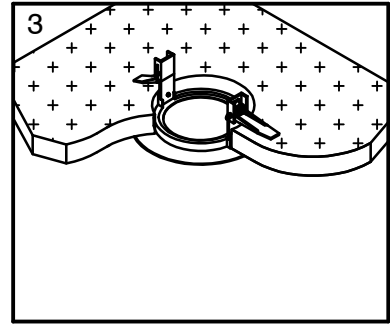
CEILING MOUNTING DETAIL



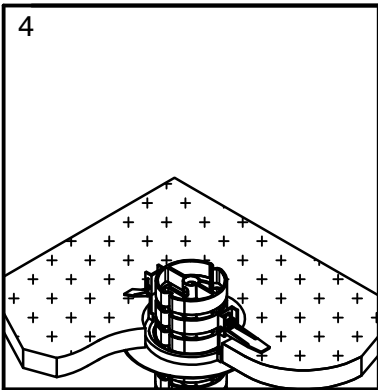
1 CUT 105MMØ OPENING IN DESIRED LOCATION FOR CEILING MOUNT BRACKET.



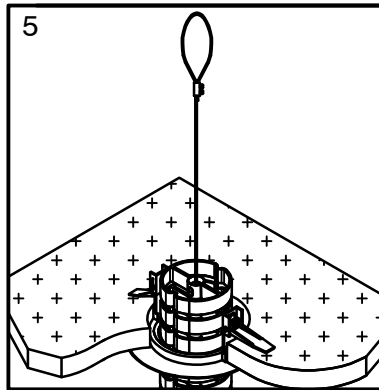
2 OPEN SPRING MECHANISMS ON CEILING MOUNT BRACKET.



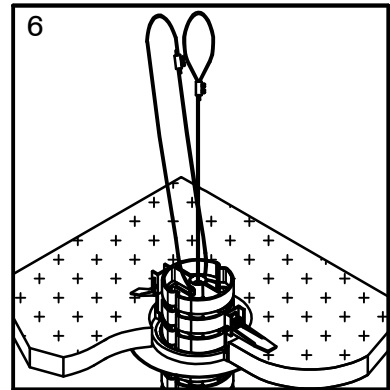
3 INSERT CEILING MOUNT BRACKET.



4 INSERT TOP OF UMBILICAL THROUGH CEILING MOUNT BRACKET.

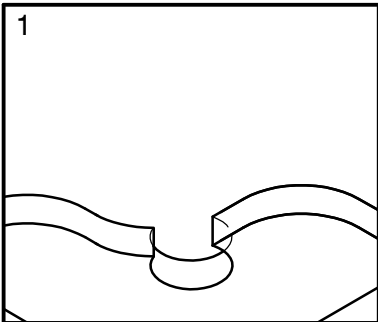


5 SECURE UMBILICAL INSIDE THE CEILING SPACE USING SUSPENSION CABLE. NOTE: MAY REQUIRE ADJUSTMENT AFTER FITTING UMBILICAL TO DESK.

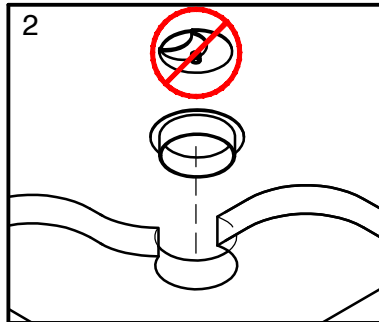


6 SECURE TENSIONING CABLE INSIDE THE CEILING SPACE. NOTE: MAY REQUIRE ADJUSTMENT AFTER FITTING UMBILICAL TO DESK.

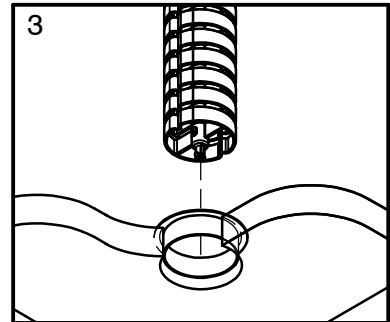
DESK MOUNTING DETAIL



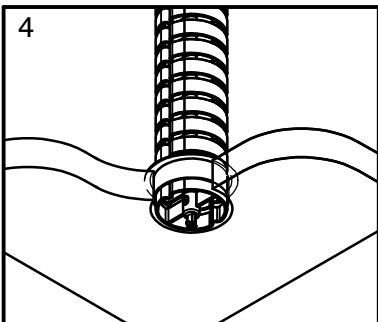
1 CUT 80MMØ OPENING IN DESIRED LOCATION ON DESK TOP.



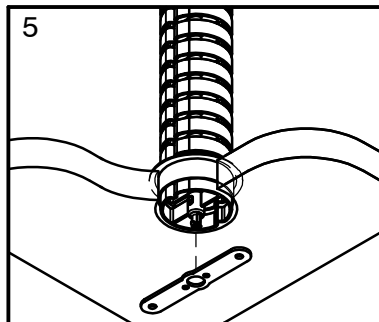
2 FIT CABLE GROMMET TO OPENING IN TOP OF DESK. DISCARD ACCESS COVER.



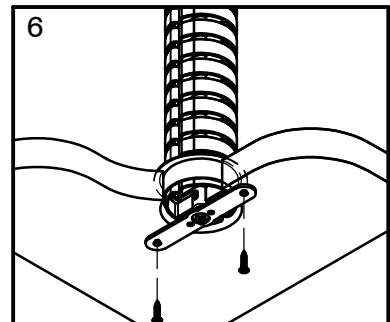
3 NOTE: GROMMET MAY REQUIRE SUITABLE ADHESIVE TO SECURE IN POSITION.



4 INSERT BOTTOM OF UMBILICAL THROUGH CABLE GROMMET.



5 FIT UNDER DESK MOUNT BRACKET TO BOTTOM OF UMBILICAL.



6 MARK & DRILL HOLES TO MOUNT UNDER DESK BRACKET. SECURE BRACKET TO UNDERSIDE OF DESK USING SCREWS PROVIDED*. *FIRST ENSURE TO CHECK SCREWS PROVIDED FOR SUITABILITY PRIOR TO USE.