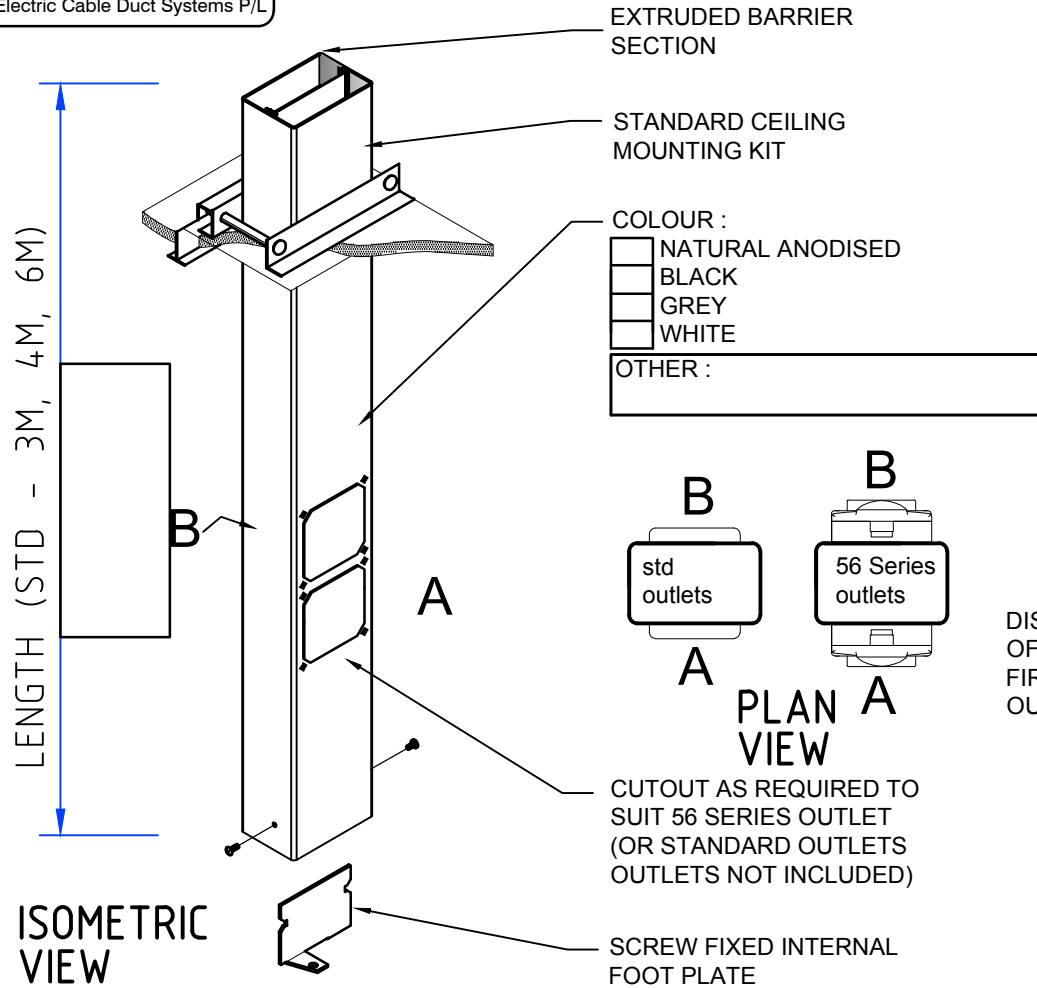
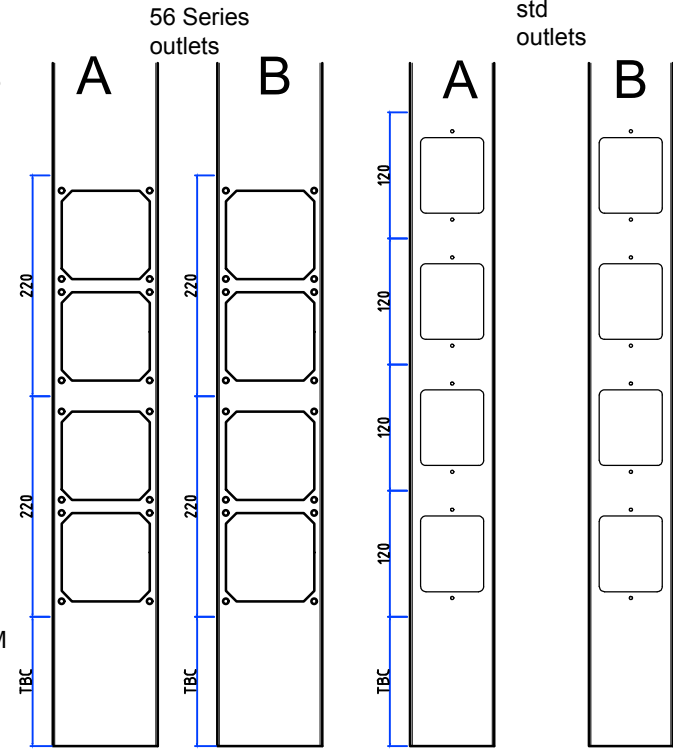


OUTLET CUTOUT POSITIONS

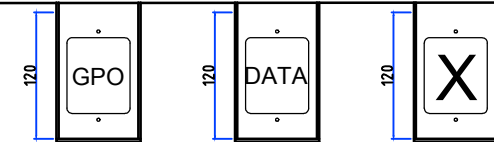


SIDES



DISTANCE FROM BOTTOM OF POST TO BOTTOM OF FIRST OUTLET

MARK UP AS PER BELOW TO SHOW POSITIONS FOR GPO & DATA (FROM BOTTOM OF SERVICE POST). MARK 'X', WHERE NO CUTOUTS ARE REQUIRED.



CUSTOMER REF. No :
REQUIRED QUANTITY :
CUSTOMER APPROVAL :
DATE APPROVED :
ECD MAN. APPROVAL :
DATE APPROVED FOR MAN. :

Skirting Duct	ECD	Service Posts
Floor Duct		Umbilicals
Wall Duct		Soft Wiring
Floor Boxes		Pedestals

Electric Cable Duct Systems Pty. Ltd.
 Unit 2/25-37 Chapman Street, Blackburn North. VIC. 3130
 Tel: (03) 9890 6646 www.ecd.net.au

SCALE:	N.T.S.
DATE:	17.02.17
DRAWN:	W.P.
CHECKED:	

DRAWING:

**SP10176 SERVICE POST
 MADE TO ORDER TEMPLATE**

SP10176 101 X 76MM CUSTOM SERVICE POST
 AS PER SPECIFIC DETAILS PROVIDED

PROJECT:	
CAT:	SP10176-SPEC
DWG. NO:	D01
REV. A	ISSUE 2