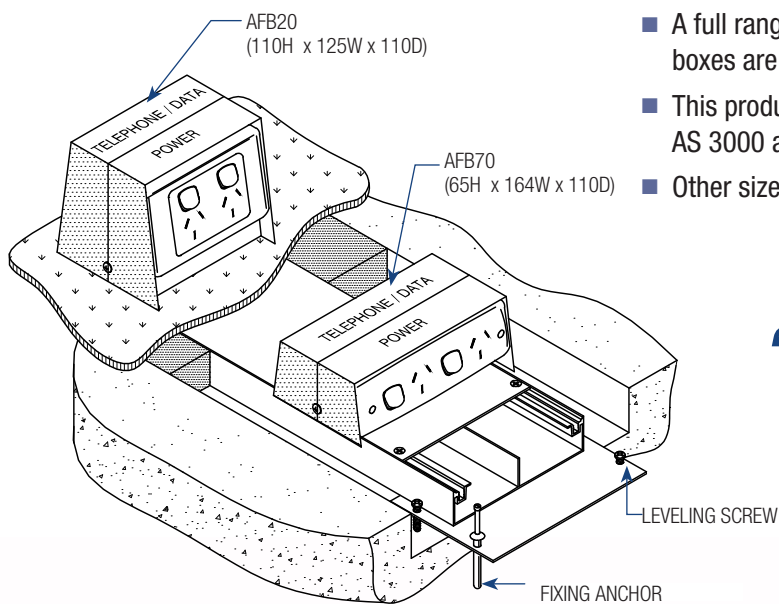


## Flush Floor Duct

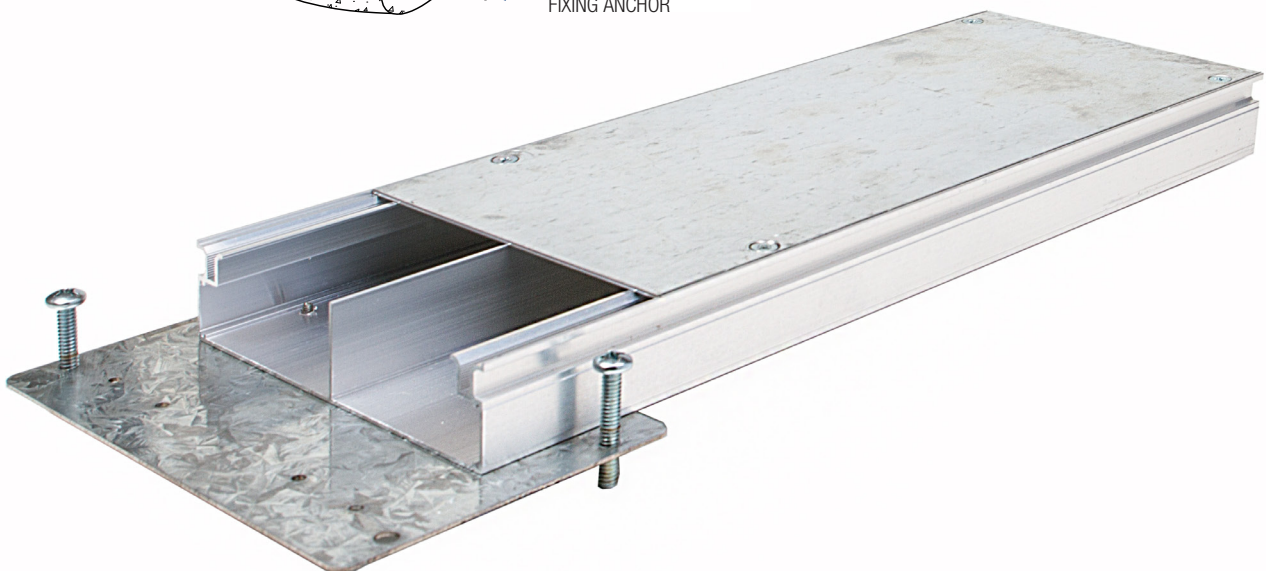
### AT A GLANCE...

- Size: 150 x 35 mm
- Outlets: Floor box mounted
- Body: Extruded aluminium
- Cover: Galvanised steel

- Fully accessible system suitable for commercial and light industrial applications.
- Extruded aluminium body with removable screw fixed galvanised steel covers.
- Covers are pre-punched and countersunk.
- Supplied with leveling / joining brackets prefitted to duct body.
- Leveling / joining brackets provide facility to adjust duct height.
- A full range of flush floor cross-over and tee junction boxes are available.
- This product has been examined in accordance with AS 3000 and A.C.M.A. requirements.
- Other sizes available to order.



**“Easy as ECD®”**



ESTABLISHED 1979

**Electric Cable Duct Systems P/L**

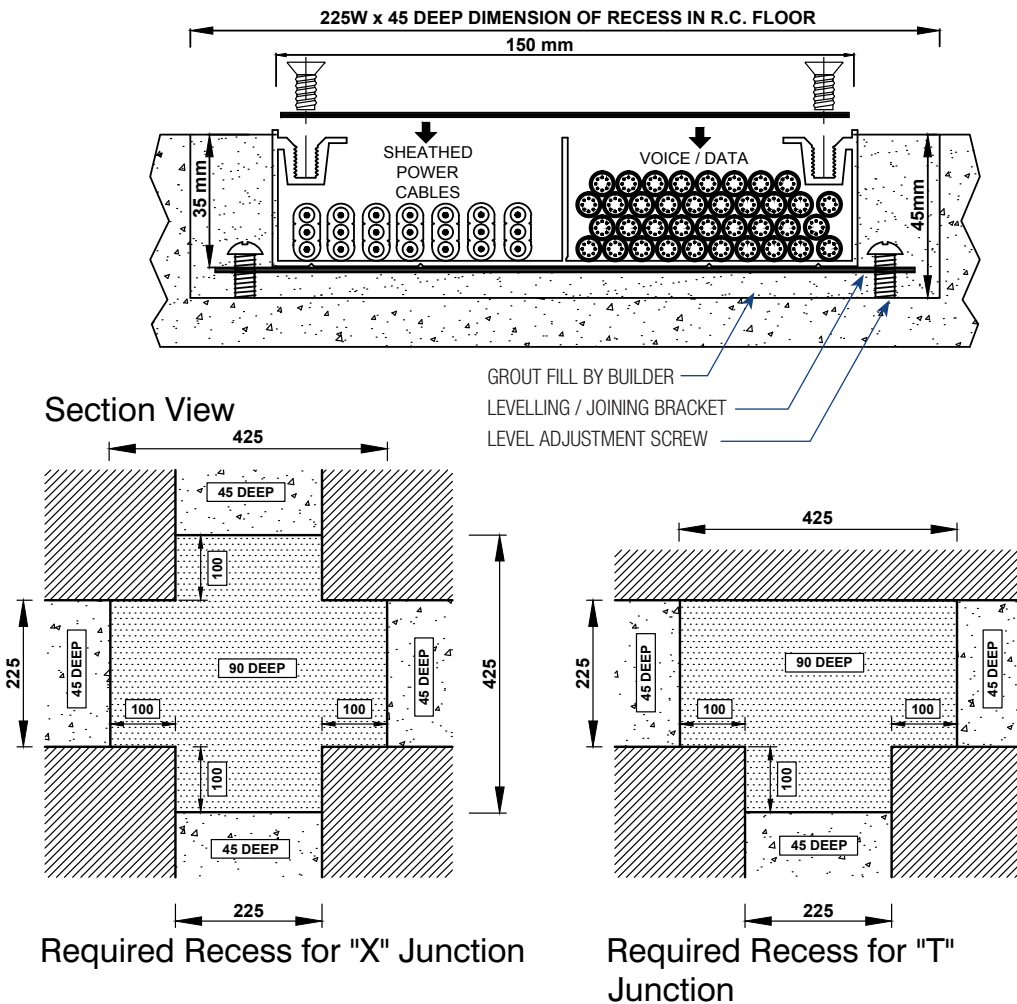
Phone: 1300 123 ECD (323)

Email: [info@ecd.net.au](mailto:info@ecd.net.au)

Fax: 1300 372 825

website: [www.ecd.net.au](http://www.ecd.net.au)

ABN 80005544105



## INSTALLATION FFD15035

- Installed into a preformed recess provided by the builder, being 225(w) x 45(d)mm at duct locations and 425(w) x 90(d) mm at junction locations. Once duct is installed and levelled to floor level, the builder is required to grout the installation.

## SUGGESTED SPECIFICATION

- The contractor shall allow to supply and install Electric Cable Duct Systems P/L Cat No. FFD15035 (150 x 35mm), Flush Floor Duct System, generally in accordance with the manufacturers technical publication and as identified on the plans and specifications of the project.
- The body shall be extruded aluminium with removable pre-punched and countersunk, galvanized steel covers.
- The system shall be a complete and workable system including levelling bracket, stop ends, access inspection ports, and floor outlet boxes.

## PARTS LIST

DESCRIPTION	PART NO.
Duct body – 3.0m lengths	FFD15035D
Duct cover – 1.2m lengths	FFD15035C
Cross-over junction box	FFD15035X
Tee junction box	FFD15035T
90 degree bend junction	FFD15035B
Access inspection ports	FFD15035AP
Stop End	FFD15035SE
Above Floor Box (Low)	AFB70
Above Floor Box (High)	AFB20
Above Floor Box Mounting Kit	AFBFFDK