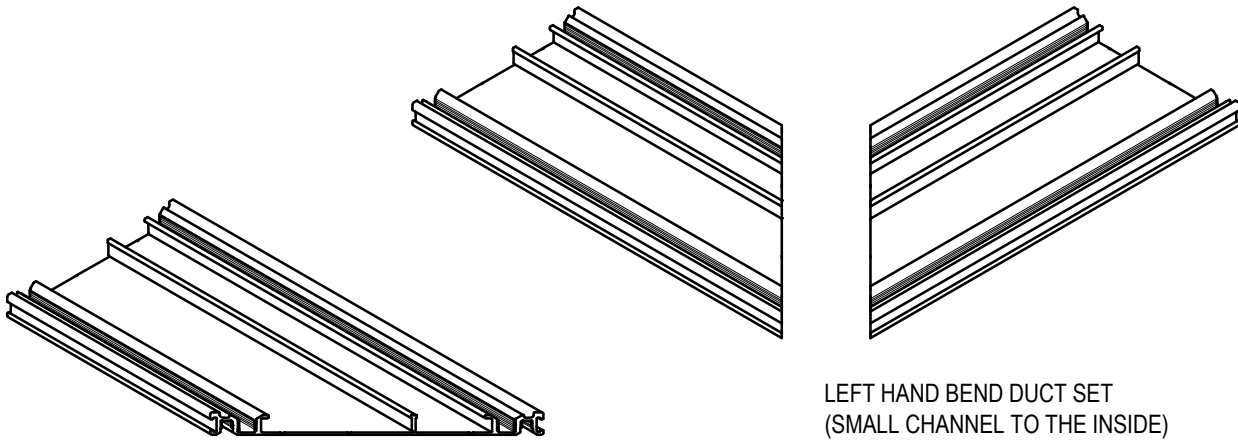
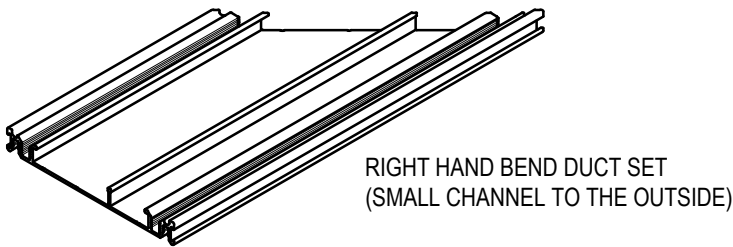


FFD10012BSM FIT OFF GUIDE

SELECT LEFT OR RIGHT HAND BEND DUCT SET TO SUIT SPECIFIC SITE REQUIREMENTS

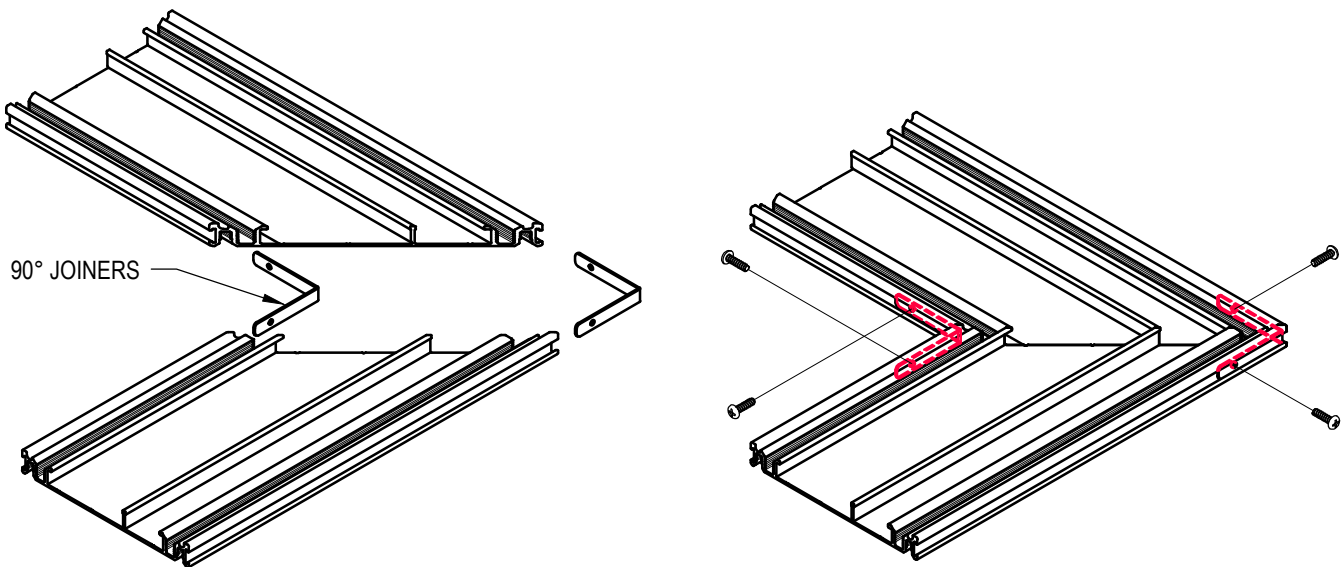


LEFT HAND BEND DUCT SET
(SMALL CHANNEL TO THE INSIDE)



RIGHT HAND BEND DUCT SET
(SMALL CHANNEL TO THE OUTSIDE)

ASSEMBLE BEND DUCTS BY INSERTING 90° JOINERS & SECURING WITH SCREWS PROVIDED



Electric Cable Duct Systems Pty. Ltd.

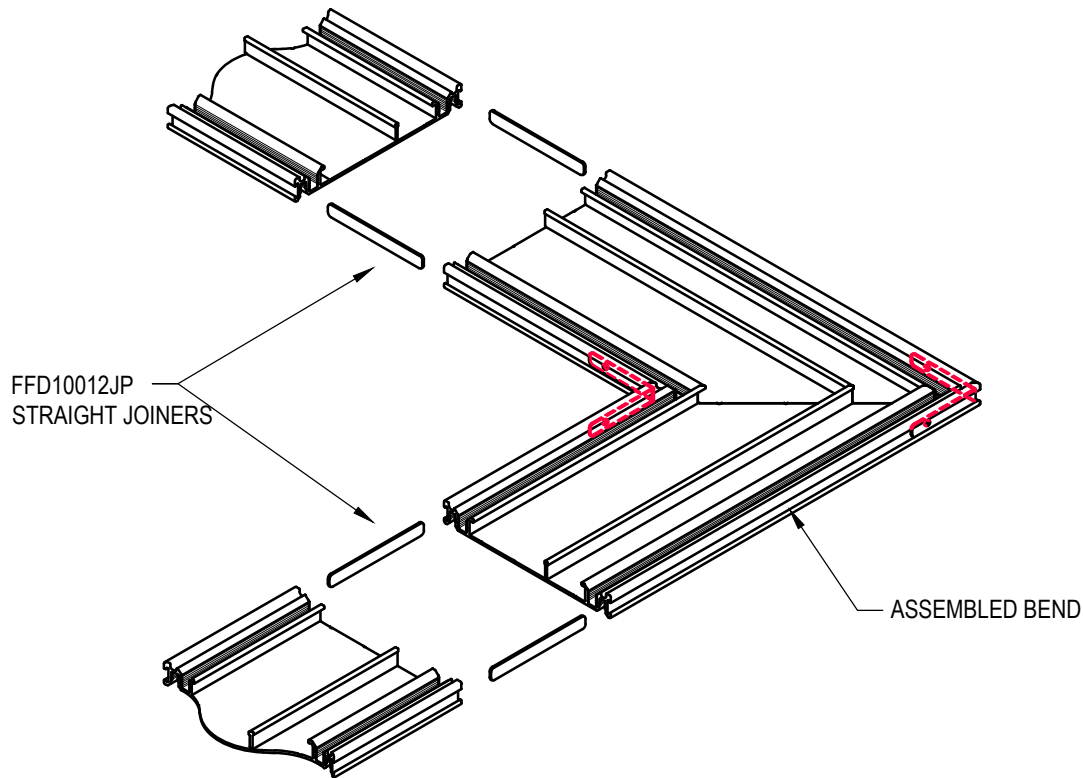
Ph: 1300 123 ECD (323) Fax: (03) 9899 5042

Email: info@ecd.net.au

www.ecd.net.au

ABN 80005544105

USE FFD10012JB JOINERS PROVIDED TO FIT ASSEMBLED BEND TO STRAIGHT DUCTS & SECURE USING A METHOD TO SUIT SITE REQUIREMENTS



AFTER DUCT IS CABLED, FIT UNIVERSAL SURFACE MOUNT COVER SET USING SCREWS PROVIDED

