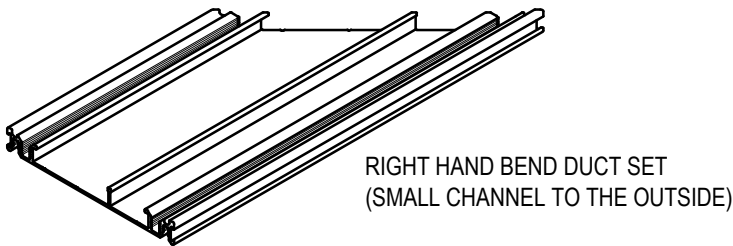
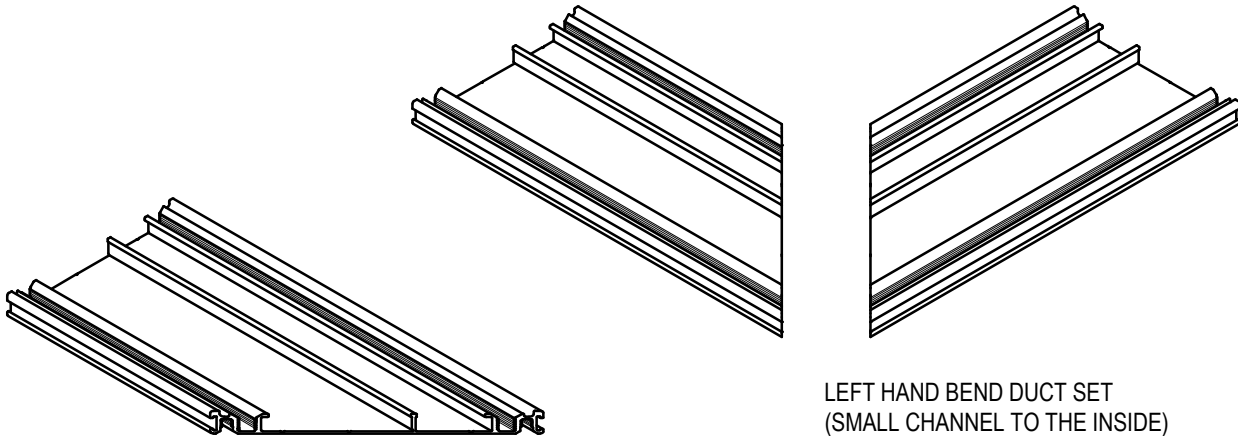
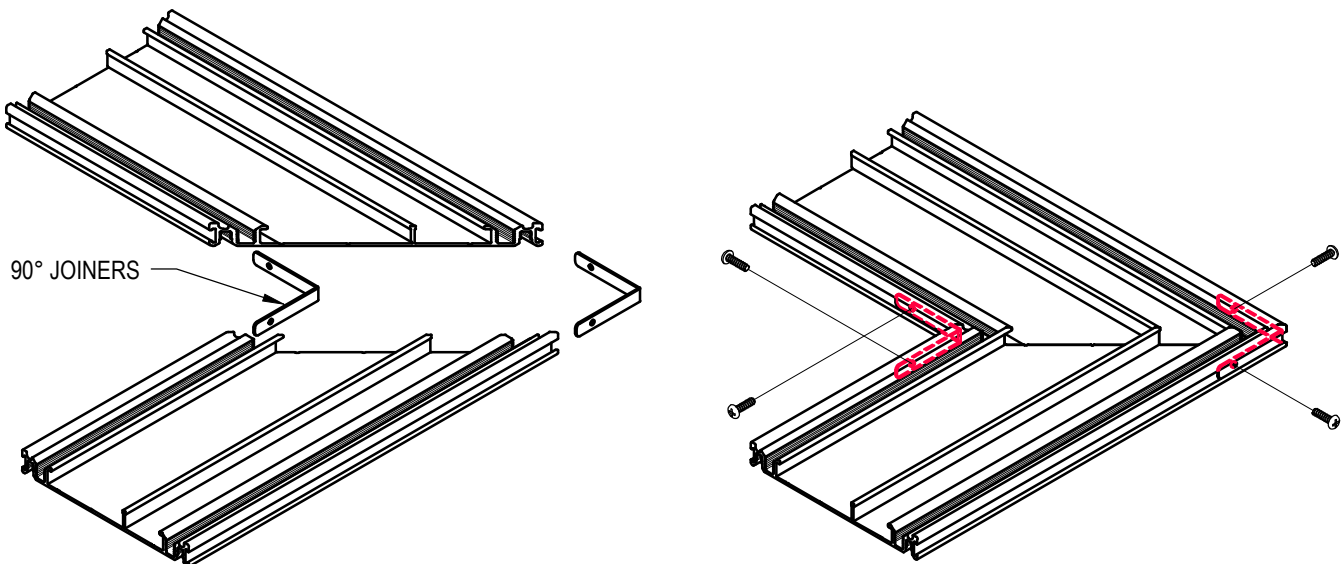


# FFD10012BFR FIT OFF GUIDE

SELECT LEFT OR RIGHT HAND BEND DUCT SET TO SUIT SPECIFIC SITE REQUIREMENTS



ASSEMBLE BEND DUCTS BY INSERTING 90° JOINERS & SECURING WITH SCREWS PROVIDED



**Electric Cable Duct Systems Pty. Ltd.**

Ph: 1300 123 ECD (323) Fax: (03) 9899 5042

Email: [info@ecd.net.au](mailto:info@ecd.net.au)

[www.ecd.net.au](http://www.ecd.net.au)

ABN 80005544105

Skirting, Floor & Wall Duct | Floor & Desk Boxes | Service Posts | Umbilicals | Soft Wiring

ECD

ECD

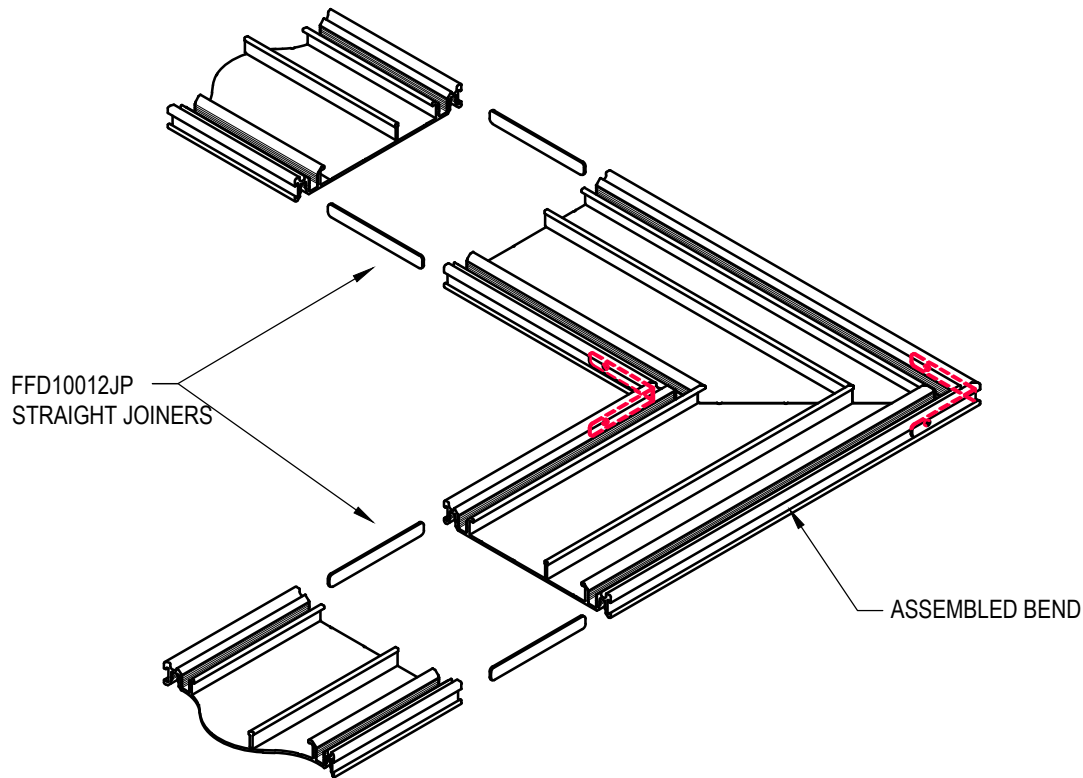
ECD

ECD

ECD

ECD

USE FFD10012JB JOINERS PROVIDED TO FIT ASSEMBLED BEND TO STRAIGHT DUCTS & SECURE USING A METHOD TO SUIT SITE REQUIREMENTS



AFTER DUCT IS CABLED, FIT UNIVERSAL FLUSH COVER SET USING SCREWS PROVIDED

