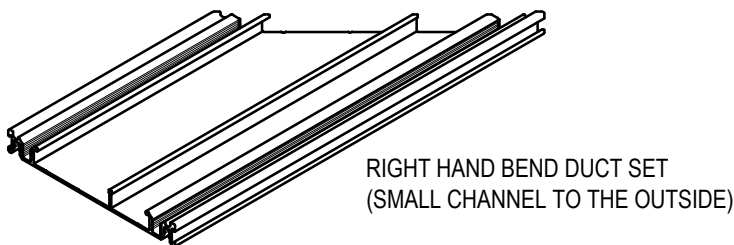
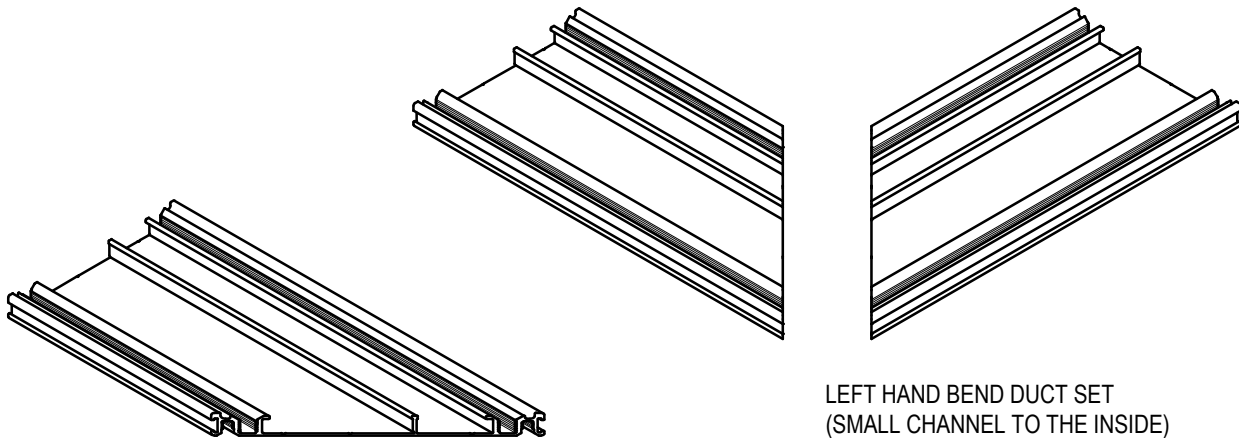
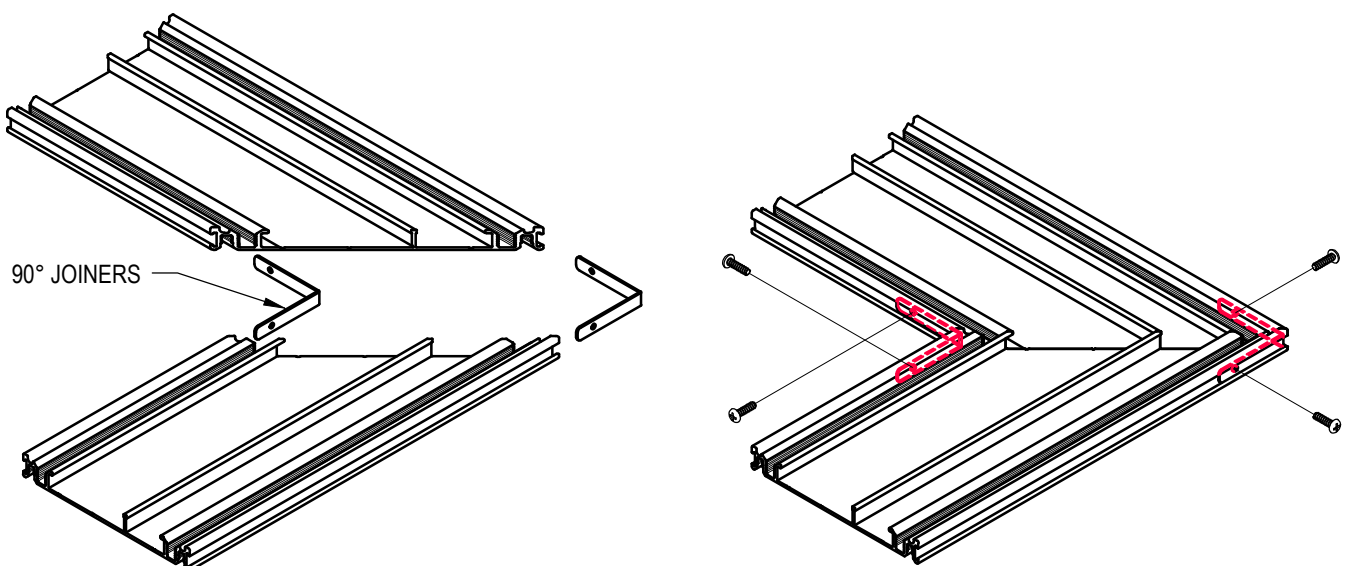


FFD10012BDCR FIT OFF GUIDE

SELECT LEFT OR RIGHT HAND BEND DUCT SET TO SUIT SPECIFIC SITE REQUIREMENTS



ASSEMBLE BEND DUCTS BY INSERTING 90° JOINERS & SECURING WITH SCREWS PROVIDED



Electric Cable Duct Systems Pty. Ltd.

Ph: 1300 123 ECD (323) Fax: (03) 9899 5042

Email: info@ecd.net.au

www.ecd.net.au

ABN 80005544105

Skirting, Floor & Wall Duct | Floor & Desk Boxes | Service Posts | Umbilicals | Soft Wiring

ECD

ECD

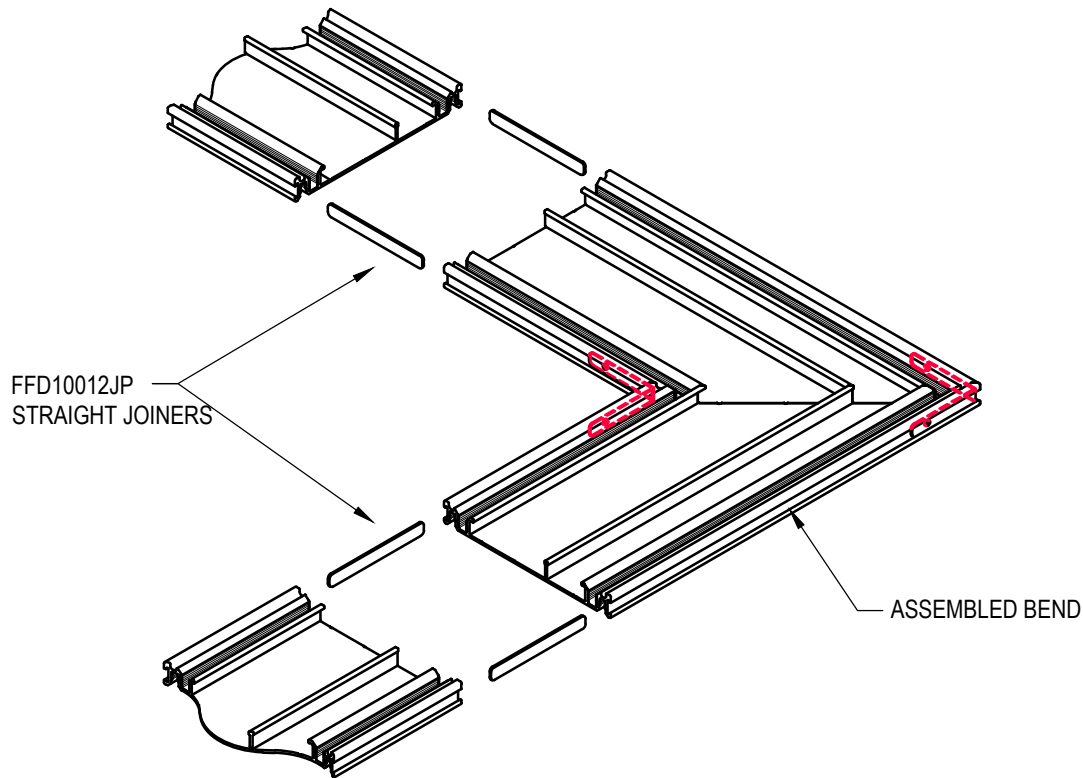
ECD

ECD

ECD

ECD

USE FFD10012JB JOINERS PROVIDED TO FIT ASSEMBLED BEND TO STRAIGHT DUCTS & SECURE USING A METHOD TO SUIT SITE REQUIREMENTS



AFTER DUCT IS CABLED, FIT UNIVERSAL FLUSH COVER SET USING SCREWS PROVIDED

