

**PROTECTOR™ SERIES Flush Floor Box** Flush, Stainless Steel**AT A GLANCE...**

- Capacity: 8 x single auto switch power outlets and 8 x data mounts
- Box Size: 360 x 240 x 70 mm Deep
- Features:
  - **Cable Shield®** Frame
  - Soft close lid
- Lid Material: Stainless 304 – No. 4 Linished
- Suitable for: Cat6A & 7A Cabling

**“Easy as ECD®”**

- Flush Protector™ Series Stainless Steel Lid and Frame with No. 4 Linished finish.
- Protector™ Series features
  - **Cable Shield®** Frame assembly to prevent cables being cut. (Patent Certified 2017100897 & Patent Pending 2015204344)
  - Soft close lid to stop lid from slamming shut
  - Cable retainer for easy cable management.
- Robust and large capacity cable exit flap with retracing lifting handle.
- Capacity for 8 x single auto switch power outlets and 8 x data mounts.
- Suitable for category 6A and 7A data cabling with generous bend radius capacity.
- Suitable for Audio / Video outlets including VGA, HDMI, USB, etc.
  - 304 Grade Solid Stainless Steel.
  - Modular box body and lid design, interchangeable with plastic and other lids in the ECD® floor box range.
  - Supplied with temporary construction lid.
  - Option to fit cam lock if required.



ESTABLISHED 1979

**Electric Cable Duct Systems P/L**

Phone: 1300 123 ECD (323)

Email: [info@ecd.net.au](mailto:info@ecd.net.au)

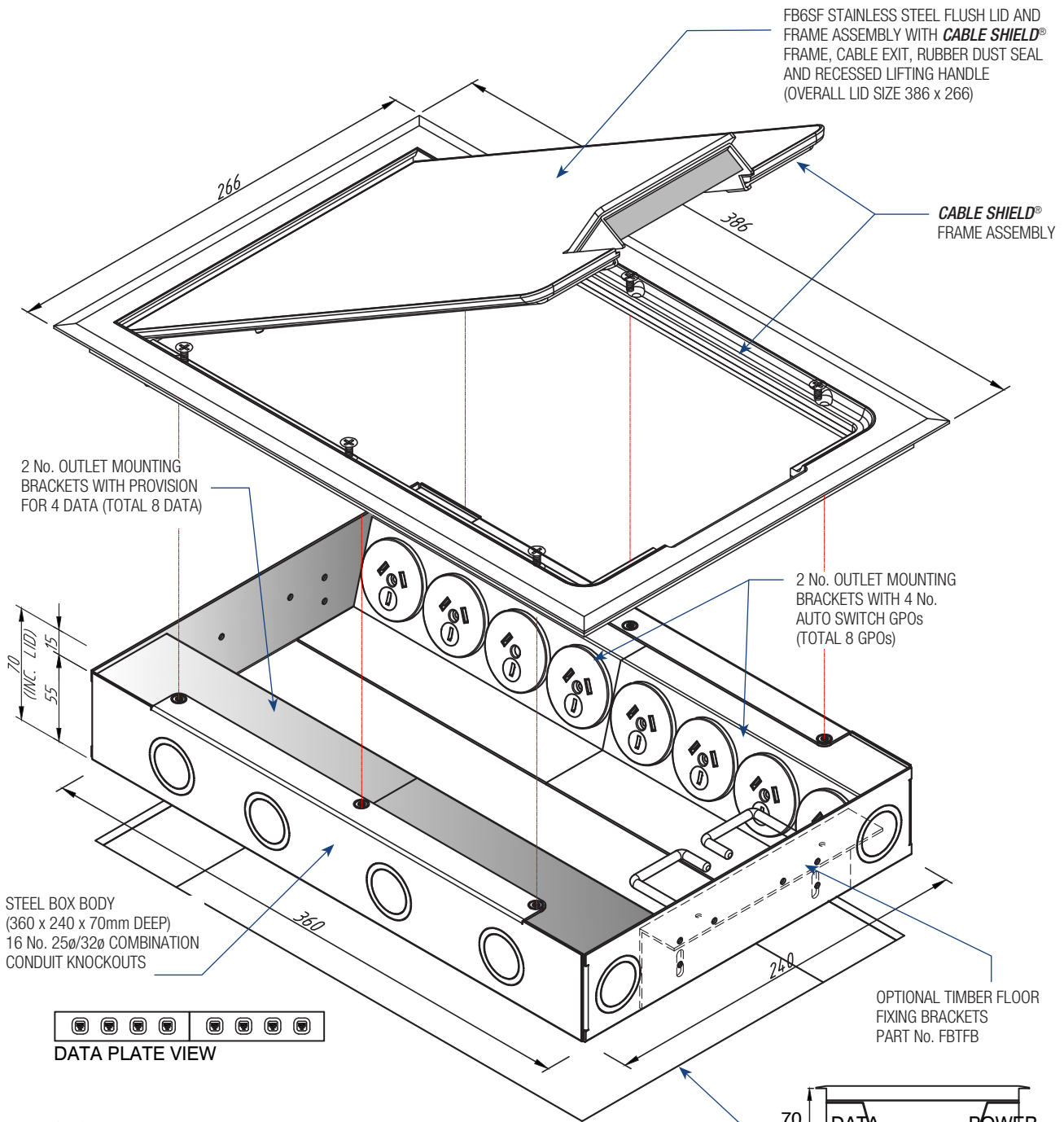
Fax: 1300 372 825

website: [www.ecd.net.au](http://www.ecd.net.au)

ABN 80005544105

# ASSEMBLY DIAGRAM

## PROTECTOR™ SERIES FLUSH FLOOR BOX – FLUSH STAINLESS STEEL – FB6SF70



NOMINAL RECESS SIZE  
370 x 250 x 80 DEEP FOR TIMBER FLOOR OR  
400 x 300 x 80 FOAM BLOCKOUT FOR CONCRETE

