

PROTECTOR™ SERIES Flush Floor Box Flush, Stainless Steel**AT A GLANCE...**

- Capacity: 8 x single auto switch power outlets and 8 x data mounts
- Box Size: 360 x 240 x 70 mm deep
- Features: Rubber exit flap to all 3 sides
- Lid Material: Stainless 304 – No. 4 Linished
- Suitable for: Cat6A & 7A Cabling

“Easy as ECD®”

- Flush Protector™ Series 304 grade Stainless Steel lid and frame with No. 4 Linished finish.
- Protector™ Series features
 - **Cable Shield®** Frame assembly to prevent cables being cut – lid frame only.
(Patent Certified 2017100897 & Patent Pending 2015204344)
 - Soft close lid to stop lid from slamming shut.
- Rubber cable exit flaps to all three sides enables cables to safely exit the lid at any point.
- Capacity for 8 x single auto switch power outlets (supplied) and 8 x data mounts (bezels supplied).
- Suitable for category 6A and 7A data cabling with generous bend radius capacity.
- Suitable for Audio / Video outlets including VGA, HDMI, USB, etc.
- Modular box body and lid design, interchangeable with plastic and other lids in the ECD® floor box range.
- Supplied with temporary construction lid.
- Option to fit cam lock if required.



ESTABLISHED 1979

Electric Cable Duct Systems P/L

Phone: 1300 123 ECD (323)

Email: info@ecd.net.au

Fax: 1300 372 825

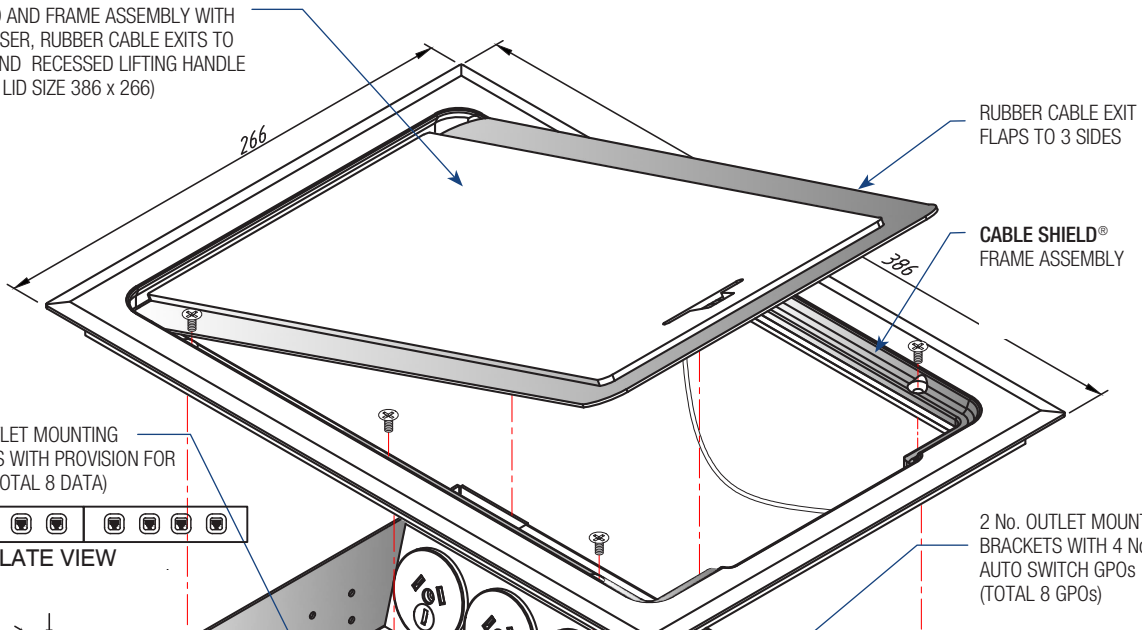
website: www.ecd.net.au

ABN 80005544105

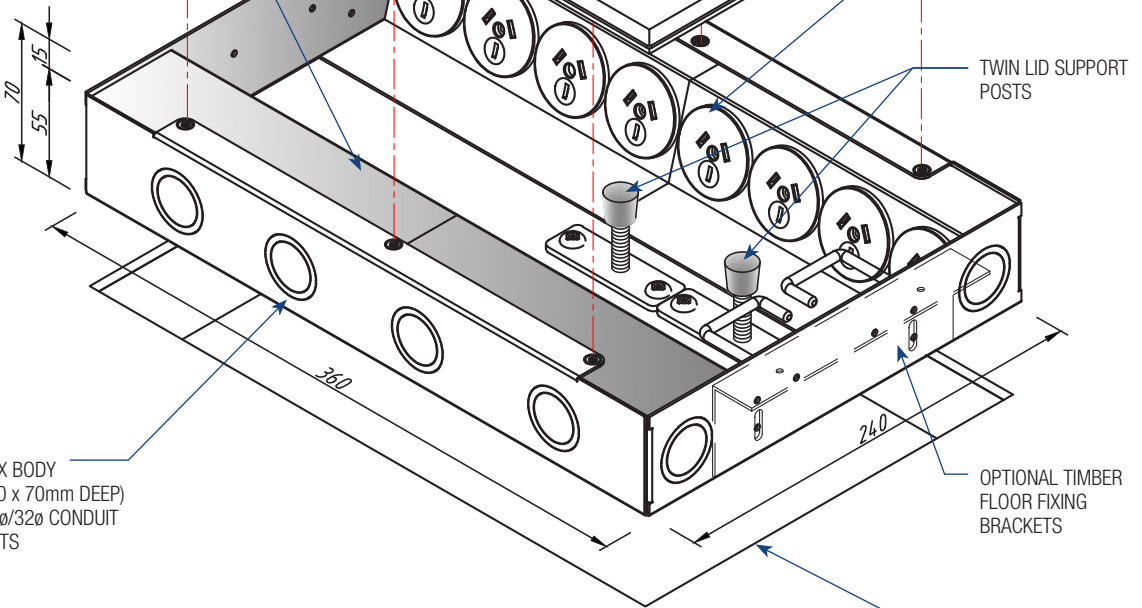
ASSEMBLY DIAGRAM

PROTECTOR™ SERIES FLUSH FLOOR BOX – FLUSH STAINLESS STEEL – FB6MU70

FB6MU 'PROTECTOR' STAINLESS STEEL FLUSH LID AND FRAME ASSEMBLY WITH SOFT CLOSER, RUBBER CABLE EXITS TO 3 SIDES AND RECESSED LIFTING HANDLE (OVERALL LID SIZE 386 x 266)



2 No. OUTLET MOUNTING BRACKETS WITH PROVISION FOR 4 DATA (TOTAL 8 DATA)



STEEL BOX BODY (360 x 240 x 70mm DEEP) 16 No. 25ø/32ø CONDUIT KNOCKOUTS

NOMINAL RECESS SIZE 370 x 250 x 80 DEEP FOR TIMBER OR 400 x 300 x 80 FOAM BLOCKOUT FOR CONCRETE

