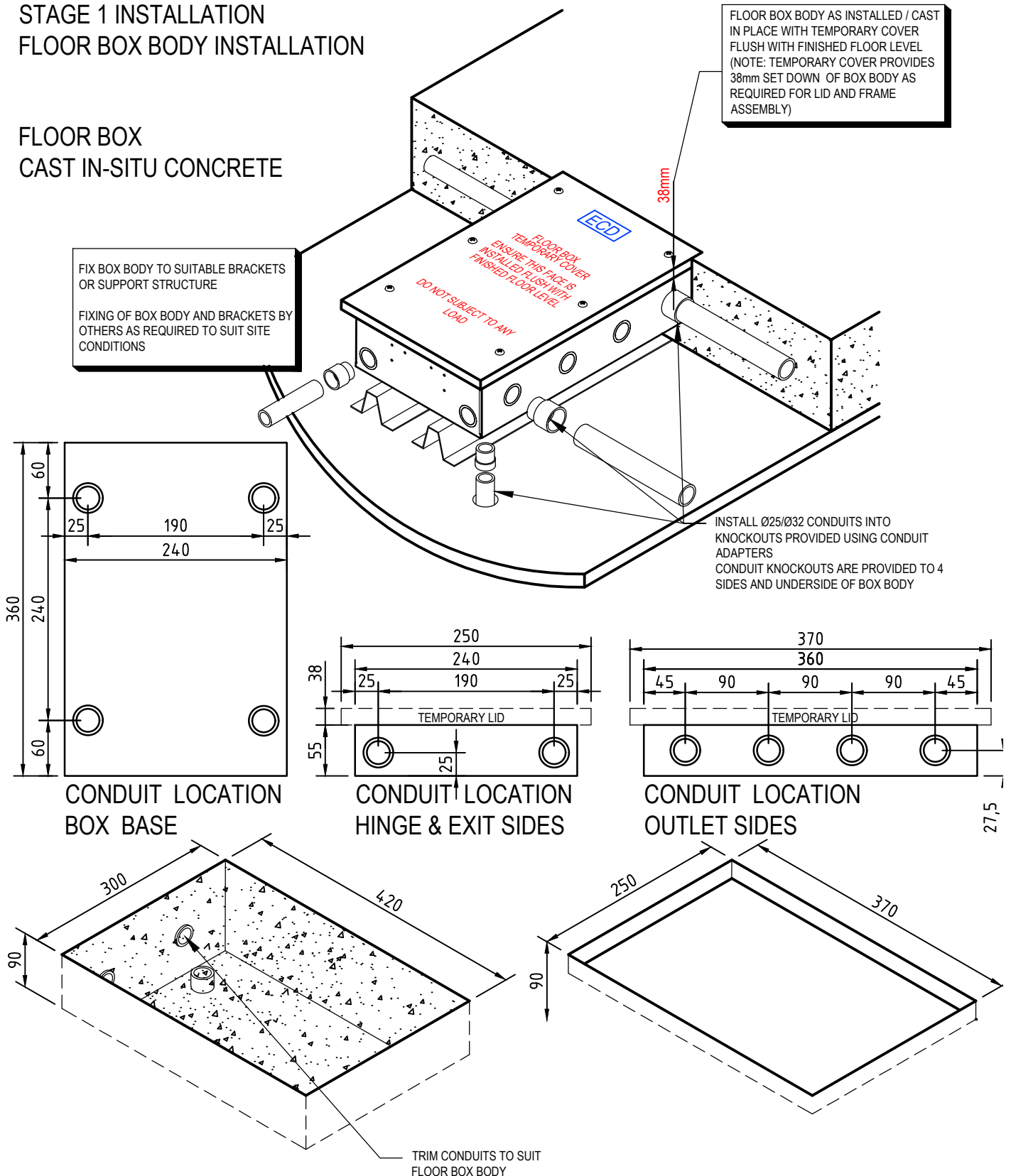


# FB6BDR70 FIT OFF GUIDE

## STAGE 1 INSTALLATION FLOOR BOX BODY INSTALLATION

### FLOOR BOX CAST IN-SITU CONCRETE



CONCRETE BLOCK OUT

TIMBER FLOOR CUT-OUT



ESTABLISHED 1979

**Electric Cable Duct Systems Pty. Ltd.**

Ph: 1300 123 ECD (323) Fax: (03) 9899 5042

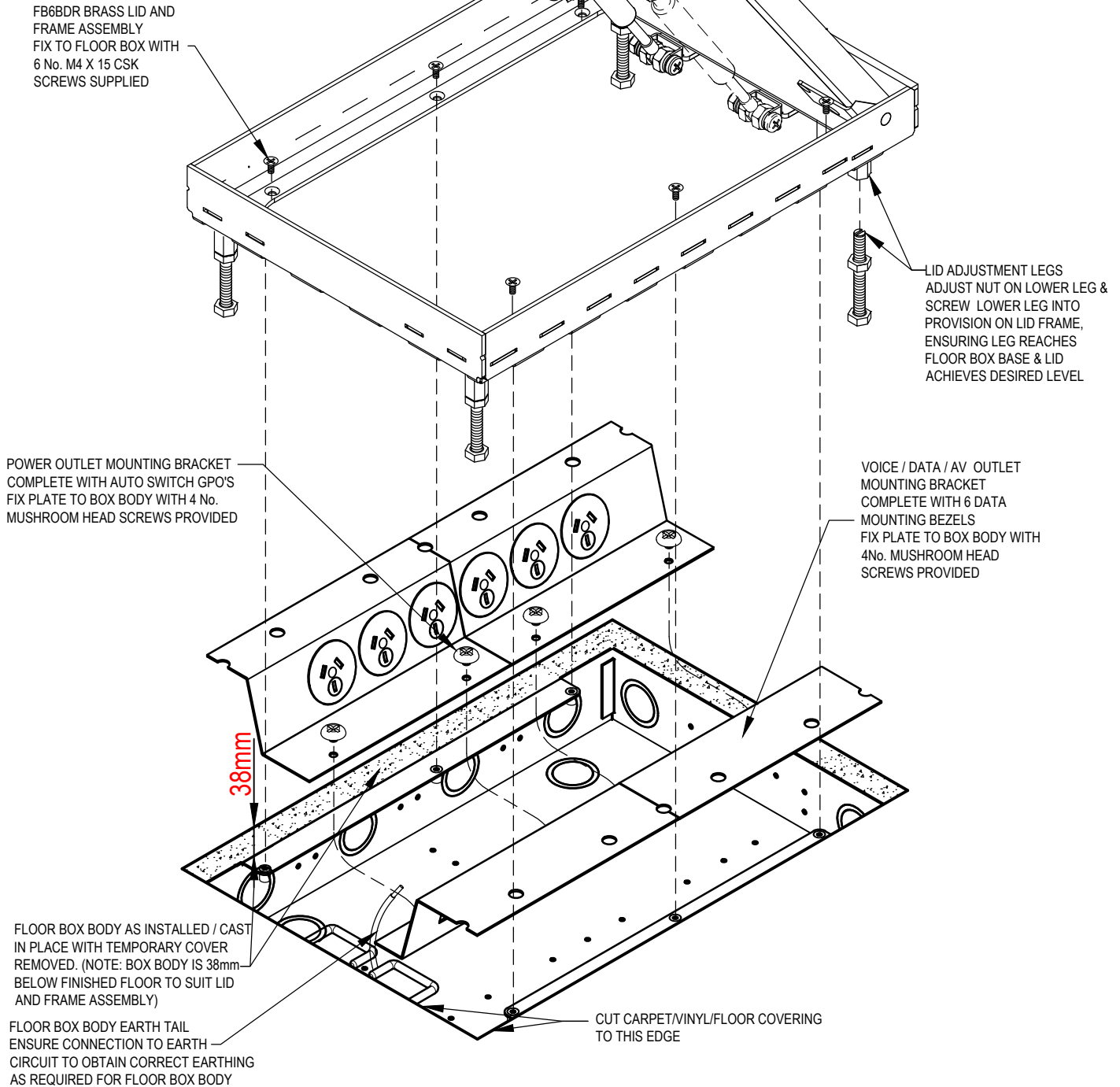
Email: [info@ecd.net.au](mailto:info@ecd.net.au)

[www.ecd.net.au](http://www.ecd.net.au)

ABN 80005544105

ECD ECD ECD ECD ECD ECD ECD ECD ECD ECD

## STAGE 2 INSTALLATION FINAL FIT OFF OF FLOOR BOX



**Electric Cable Duct Systems Pty. Ltd.**

Ph: 1300 123 ECD (323) Fax: (03) 9899 5042

Email: [info@ecd.net.au](mailto:info@ecd.net.au)

[www.ecd.net.au](http://www.ecd.net.au)

ABN 80005544105