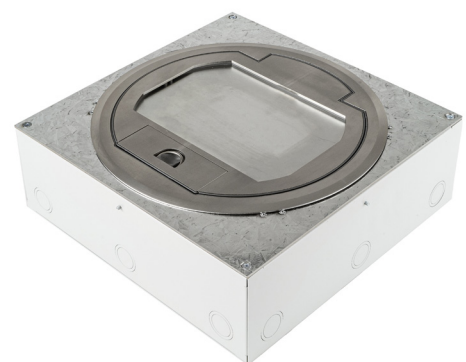


Round Flush Floor Box Recessed, Stainless Steel

AT A GLANCE...

- Capacity: 6 standard sized plates
- Box Size: 350 x 350 x 115 mm Deep
- Lid surface size: 325 mm Diameter
- Features:
 - **Cable Shield®** Frame
 - Soft close lid
- Lid Material: Stainless 304 – No. 4 Linished
- Lid Rebate: 6 mm Deep
- Suitable for: Cat6A & 7A Cabling

“Easy as ECD®”



- Recessed Protector™ Series Stainless Steel Lid and Frame 6 mm rebate for floor finish (typically carpet or vinyl).
- Protector™ Series features
 - **Cable Shield®** Frame assembly to prevent cables being cut. (Patent Certified 2017100897 & Patent Pending 2015204344)
 - Soft close lid to stop lid from slamming shut
 - Cable retainer for easy cable management.
- Robust and large capacity cable exit flap with stainless lifting handle.
- Capacity for 6 standard outlet plates (typically 4 x double power and 2 x data, but this can be reversed).
- Suitable for category 6A and 7A data cabling with generous bend radius capacity.
 - Suitable for Audio/Video outlets including VGA, HDMI, USB, etc.
 - 304 Grade solid Stainless Steel lid with No. 4 Linished finish.
 - Option to fit cam lock if required.
 - This product has been examined in accordance with AS 3000 and conforms to A.C.M.A. requirements.



ESTABLISHED 1979

Electric Cable Duct Systems P/L

Phone: 1300 123 ECD (323)

Email: info@ecd.net.au

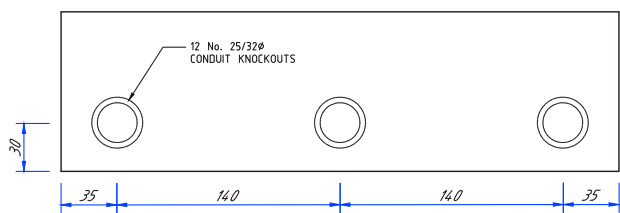
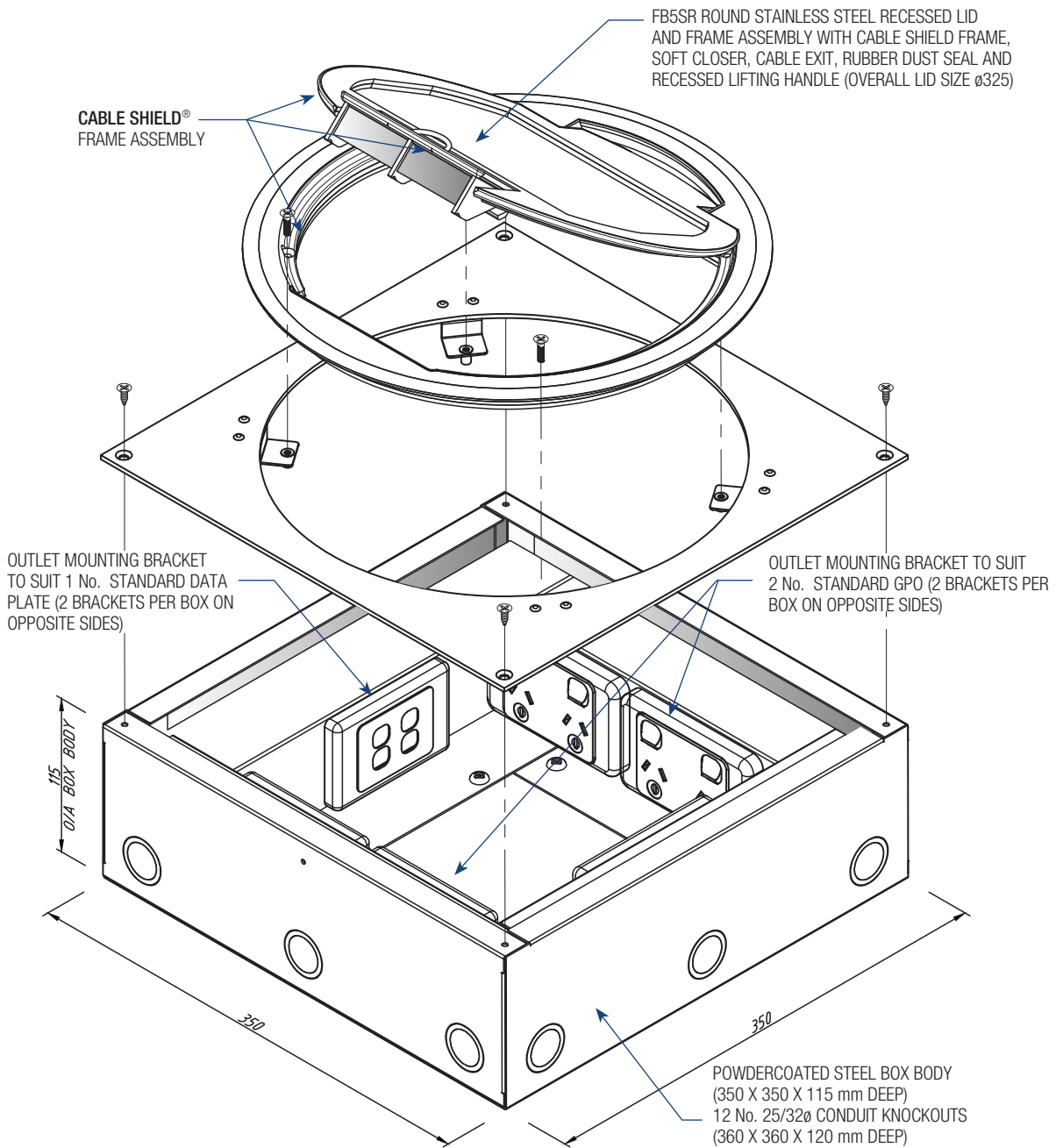
Fax: 1300 372 825

website: www.ecd.net.au

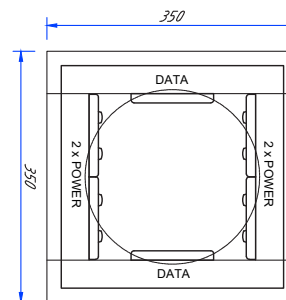
ABN 80005544105

ASSEMBLY DIAGRAM

ROUND FLUSH FLOOR BOX – RECESSED, STAINLESS STEEL – FB599



FLOOR BOX SIDE ELEVATION
TYPICAL CONDUIT LOCATION & SIZE



FLOOR BOX PLAN