

PROTECTOR™ SERIES Flush Floor Box Recessed, Black**AT A GLANCE...**

- Capacity: 4 standard sized plates
- Box Size: 240 x 240 x 110 mm Deep
- Features:
 - **Cable Shield®** Frame
 - Soft close lid
- Lid Material: Stainless Steel – black plated
- Recess: 6mm Deep
- Suitable for: Cat6A & 7A Cabling

“Easy as ECD®”

- Recessed Protector™ Series Black Plated Stainless Steel lid and frame with 6mm rebate for floor finish (typically carpet or vinyl).
- Protector™ Series features
 - **Cable Shield®** Frame assembly to prevent cables being cut. (Patent Certified 2017100897 & Patent Pending 2015204344)
 - Soft close lid to stop lid from slamming shut
 - Cable retainer for easy cable management.
- Robust and large capacity cable exit flap with retracting lifting handle.
- Capacity for 4 standard outlet plates. (2 x double power & 2 x Data and/or A.V.)
- Suitable for category 6A and 7A data cabling with generous bend radius capacity.
- Suitable for Audio / Video outlets including VGA, HDMI, USB, etc.
- 304 Grade Solid Stainless Steel – black plated.
- Modular box body and lid design, interchangeable with plastic and other lids in the ECD® floor box range.
 - Supplied with temporary construction lid.
 - Option to fit cam lock if required.



ESTABLISHED 1979

Electric Cable Duct Systems P/L

Phone: 1300 123 ECD (323)

Email: info@ecd.net.au

Fax: 1300 372 825

website: www.ecd.net.au

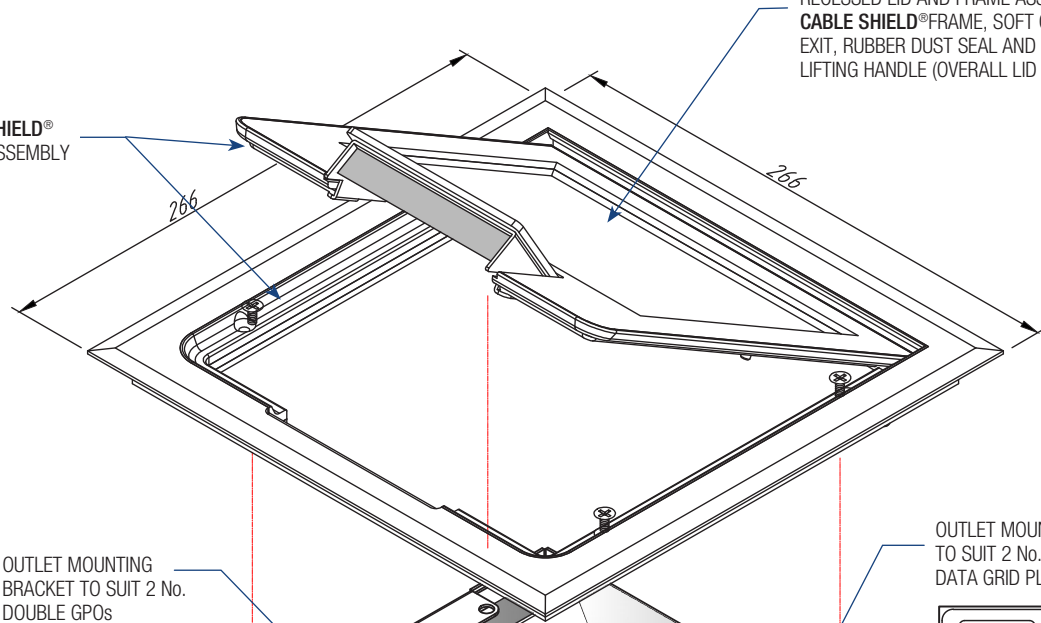
ABN 80005544105

ASSEMBLY DIAGRAM

PROTECTOR™ SERIES FLUSH FLOOR BOX – RECESSED BLACK PLATED STAINLESS STEEL – FB4SRBK

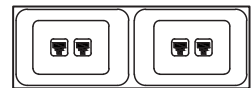
FB4SRBK BLACK PLATED STAINLESS STEEL RECESSED LID AND FRAME ASSEMBLY WITH **CABLE SHIELD®** FRAME, SOFT CLOSER, CABLE EXIT, RUBBER DUST SEAL AND RECESSED LIFTING HANDLE (OVERALL LID SIZE 266 x 266)

CABLE SHIELD®
FRAME ASSEMBLY



OUTLET MOUNTING
BRACKET TO SUIT 2 No.
DOUBLE GPOs

OUTLET MOUNTING BRACKET
TO SUIT 2 No. STANDARD
DATA GRID PLATES

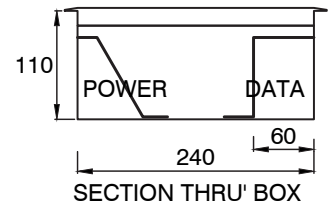


DATA PLATE VIEW

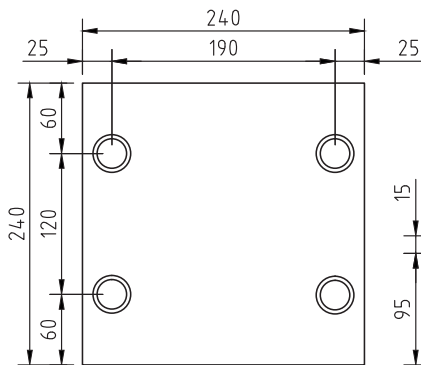
STEEL BOX BODY
(240 x 240 x 110mm DEEP)
12 No. 25ø/32ø COMBINATION
CONDUIT KNOCKOUTS

OPTIONAL TIMBER FLOOR
FIXING BRACKETS
PART No. FBTFB

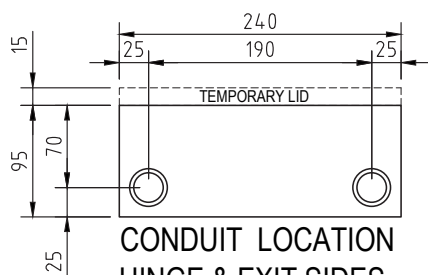
NOMINAL RECESS SIZE
250 x 250 x 120 DEEP FOR TIMBER FLOOR OR
300 x 300 x 120 FOAM BLOCKOUT FOR
CONCRETE



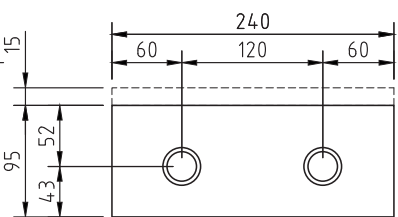
SECTION THRU' BOX



CONDUIT LOCATION
BOX BASE



CONDUIT LOCATION
HINGE & EXIT SIDES



CONDUIT LOCATION
OUTLET SIDES