

**PROTECTOR™ SERIES Flush Floor Box** Flush, Black**AT A GLANCE...**

- Capacity: 4 x single auto switch power outlets and 6 x data mounts
- Box Size: 240 x 240 x 70 mm Deep
- Features:
  - **Cable Shield®** Frame
  - Soft close lid
- Lid Material: Stainless Steel – black plated
- Suitable for: Cat6A & 7A Cabling

**“Easy as ECD®”**

- Flush Protector™ Series Black Plated Stainless Steel lid and frame.
- Protector™ Series features
  - **Cable Shield®** Frame assembly to prevent cables being cut. (Patent Certified 2017100897 & Patent Pending 2015204344)
  - Soft close lid to stop lid from slamming shut
  - Cable retainer for easy cable management.
- Robust and large capacity cable exit flap with retracting lifting handle.
- Capacity for 4 x single auto switch power outlets and 6 x data mounts.
- Suitable for category 6A and 7A data cabling with generous bend radius capacity.
- Suitable for Audio / Video outlets including VGA, HDMI, USB, etc.
- 304 Grade Solid Stainless Steel – black plated.
- Modular box body and lid design, interchangeable with plastic and other lids in the ECD® floor box range.
- Supplied with temporary construction lid.
- Option to fit cam lock if required.



ESTABLISHED 1979

**Electric Cable Duct Systems P/L**

Phone: 1300 123 ECD (323)

Fax: 1300 372 825

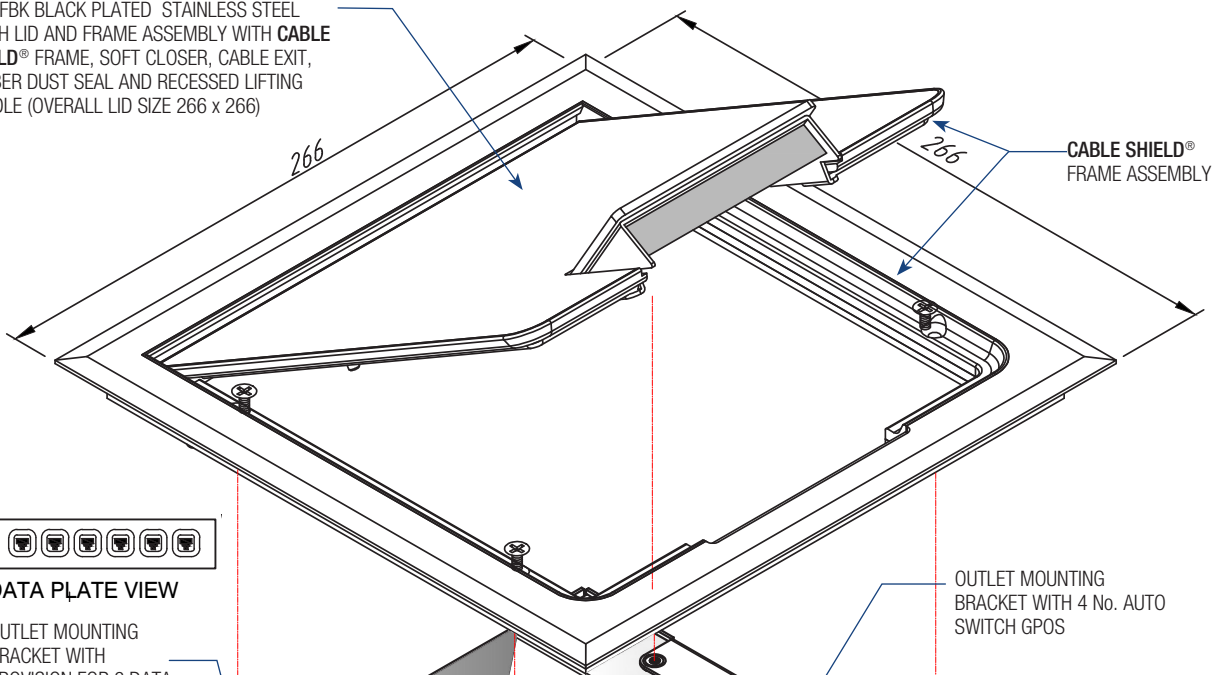
Email: [info@ecd.net.au](mailto:info@ecd.net.au)website: [www.ecd.net.au](http://www.ecd.net.au)

ABN 80005544105

## ASSEMBLY DIAGRAM

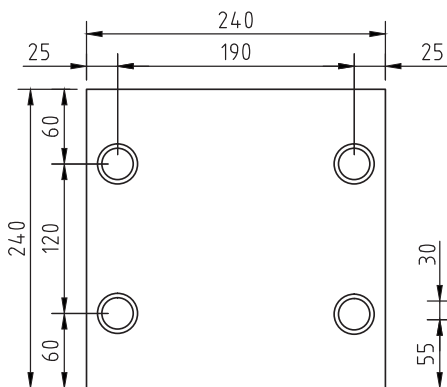
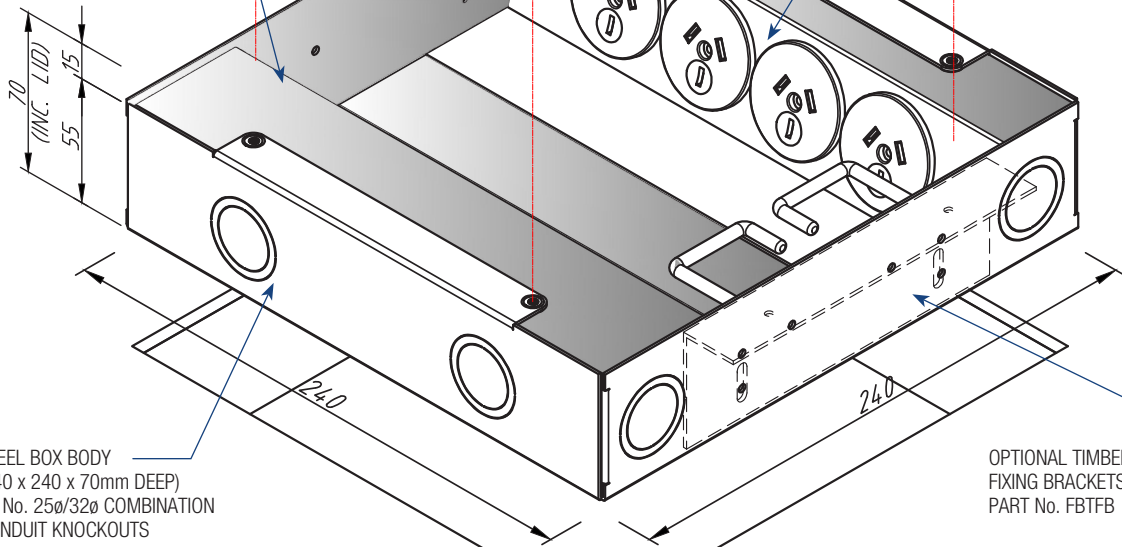
### PROTECTOR™ SERIES FLUSH FLOOR BOX – FLUSH BLACK PLATED STAINLESS STEEL – FB4SFBK70

FB4SFBK BLACK PLATED STAINLESS STEEL FLUSH LID AND FRAME ASSEMBLY WITH **CABLE SHIELD®** FRAME, SOFT CLOSER, CABLE EXIT, RUBBER DUST SEAL AND RECESSED LIFTING HANDLE (OVERALL LID SIZE 266 x 266)



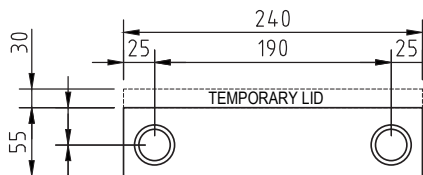
#### DATA PLATE VIEW

OUTLET MOUNTING BRACKET WITH PROVISION FOR 6 DATA

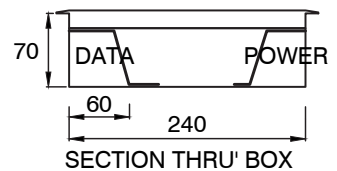


CONDUIT LOCATION  
BOX BASE

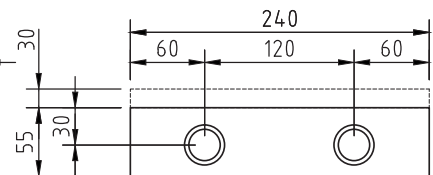
NOMINAL RECESS SIZE  
250 x 250 x 80 DEEP FOR TIMBER FLOOR OR  
300 x 300 x 80 FOAM BLOCKOUT FOR  
CONCRETE



CONDUIT LOCATION  
HINGE & EXIT SIDES



SECTION THRU' BOX



CONDUIT LOCATION  
OUTLET SIDES