

PROTECTOR™ SERIES Flush Floor Box Flush, Stainless Steel**AT A GLANCE...**

- Capacity: 4 x single auto switch power outlets and 6 x data mounts
- Box Size: 240 x 240 x 70mm Deep
- Features:
 - **Cable Shield®** Frame
 - Soft close lid
- Lid Material: Stainless 304 – No. 4 Linished
- Suitable for: Cat6A & 7A Cabling

“Easy as ECD®”

- Flush Protector™ Series Stainless Steel Lid and Frame with No. 4 Linished finish.
- Protector™ Series features
 - **Cable Shield®** Frame assembly to prevent cables being cut. (Patent Certified 2017100897 & Patent Pending 2015204344)
 - Soft close lid to stop lid from slamming shut
 - Cable retainer for easy cable management.
- Robust and large capacity cable exit flap with retracting lifting handle.
- Capacity for 4 x single auto switch power outlets and 6 x data mounts.
- Suitable for category 6A and 7A data cabling with generous bend radius capacity.
- Suitable for Audio / Video outlets including VGA, HDMI, USB, etc.
- 304 Grade Solid Stainless Steel.
- Modular box body and lid design, interchangeable with plastic and other lids in the ECD® floor box range.
- Supplied with temporary construction lid.
- Option to fit cam lock if required.



ESTABLISHED 1979

Electric Cable Duct Systems P/L

Phone: 1300 123 ECD (323)

Fax: 1300 372 825

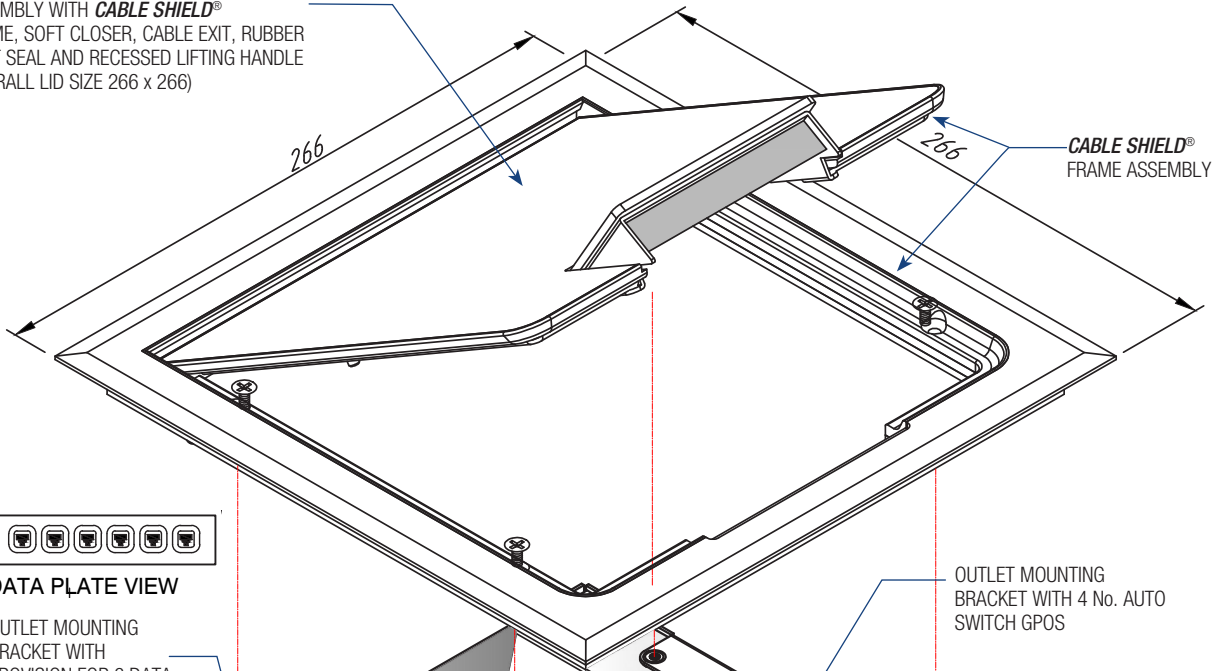
Email: info@ecd.net.auwebsite: www.ecd.net.au

ABN 80005544105

ASSEMBLY DIAGRAM

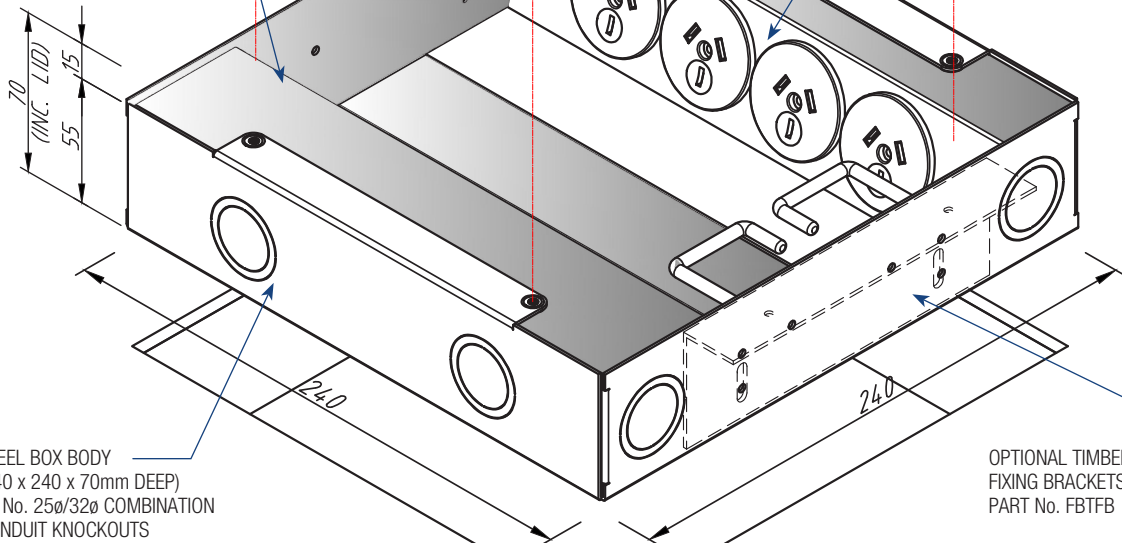
PROTECTOR™ SERIES FLUSH FLOOR BOX – FLUSH STAINLESS STEEL – FB4SF70

FB4SF STAINLESS STEEL FLUSH LID AND FRAME ASSEMBLY WITH **CABLE SHIELD®** FRAME, SOFT CLOSER, CABLE EXIT, RUBBER DUST SEAL AND RECESSED LIFTING HANDLE (OVERALL LID SIZE 266 x 266)



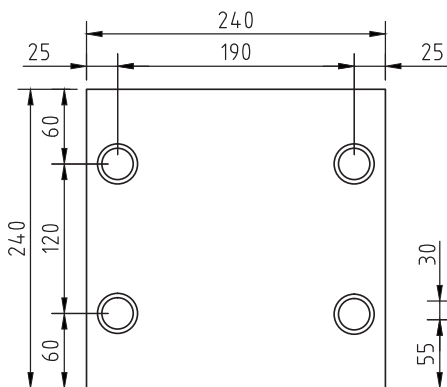
DATA PLATE VIEW

OUTLET MOUNTING BRACKET WITH PROVISION FOR 6 DATA



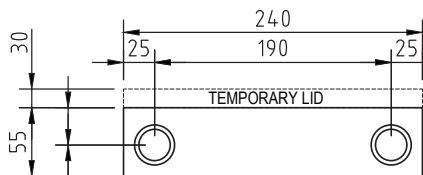
STEEL BOX BODY (240 x 240 x 70mm DEEP)
12 No. 25ø/32ø COMBINATION CONDUIT KNOCKOUTS

OPTIONAL TIMBER FLOOR FIXING BRACKETS PART No. FBTFB

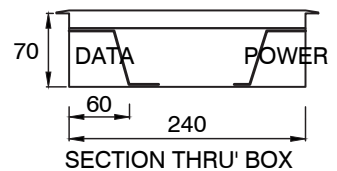


CONDUIT LOCATION BOX BASE

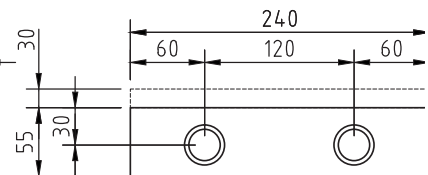
NOMINAL RECESS SIZE
250 x 250 x 80 DEEP FOR TIMBER FLOOR OR
300 x 300 x 80 FOAM BLOCKOUT FOR CONCRETE



CONDUIT LOCATION HINGE & EXIT SIDES



SECTION THRU' BOX



CONDUIT LOCATION OUTLET SIDES