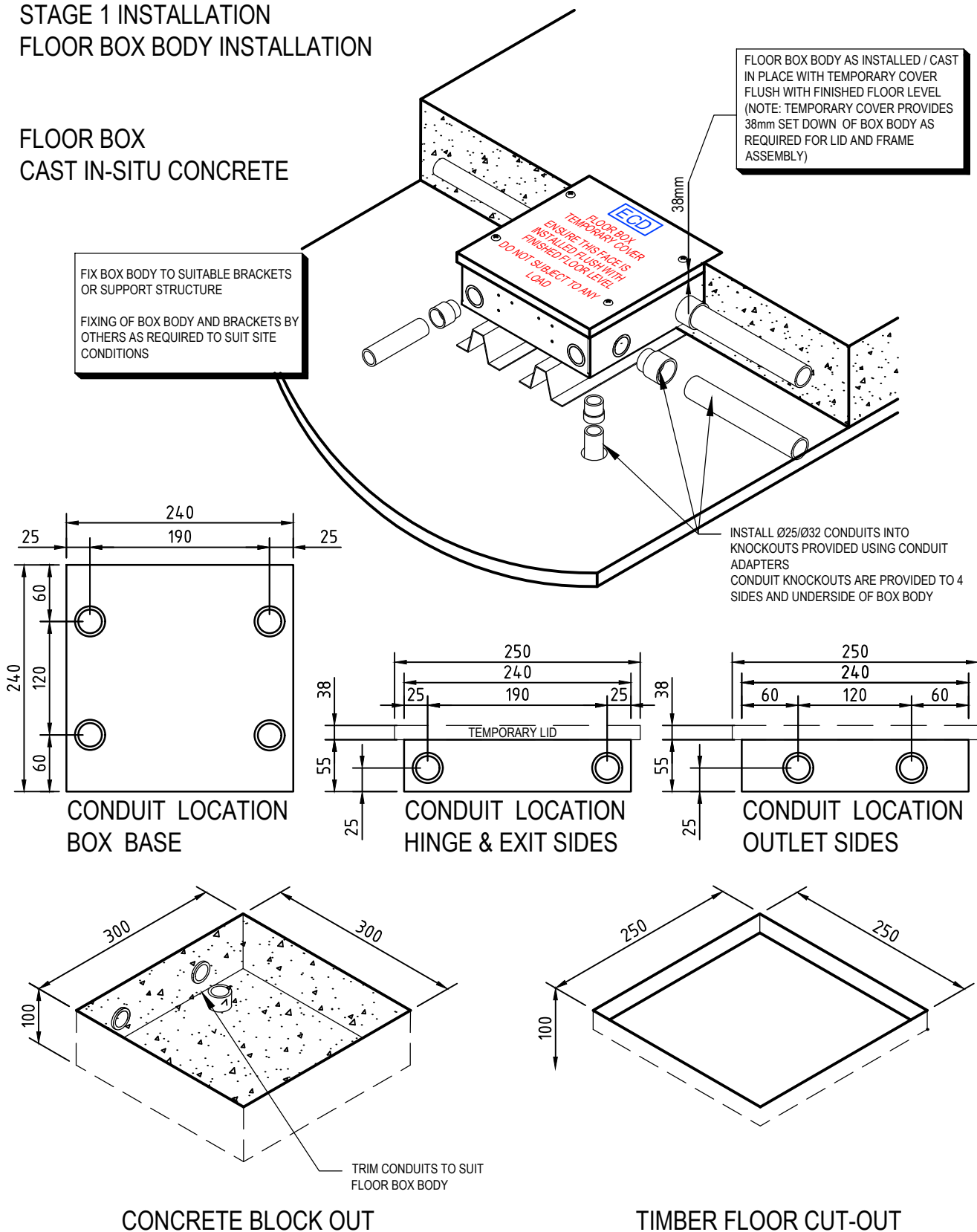


FB4SDR70 FIT OFF GUIDE

STAGE 1 INSTALLATION FLOOR BOX BODY INSTALLATION

FLOOR BOX CAST IN-SITU CONCRETE



ESTABLISHED 1979

Electric Cable Duct Systems Pty. Ltd.

Ph: 1300 123 ECD (323) Fax: (03) 9899 5042

Email: info@ecd.net.au

www.ecd.net.au

ABN 80005544105

STAGE 2 INSTALLATION FINAL FIT OFF OF FLOOR BOX

LID AND FRAME ASSEMBLY
FIX TO FLOOR BOX WITH
4 No. M4 X 15 CSK SCREWS SUPPLIED

LID ADJUSTMENT LEGS
ADJUST NUT ON LOWER LEG &
SCREW LOWER LEG INTO
PROVISION ON LID FRAME,
ENSURING LEG REACHES
FLOOR BOX BASE & LID
ACHIEVES DESIRED LEVEL

POWER OUTLET MOUNTING BRACKET
COMPLETE WITH AUTO SWITCH GPO'S
FIX PLATE TO BOX BODY WITH 2 No.
MUSHROOM HEAD SCREWS PROVIDED

VOICE / DATA / AV OUTLET
MOUNTING BRACKET
COMPLETE WITH 6 DATA
MOUNTING BEZELS
FIX PLATE TO BOX BODY WITH
2 No. MUSHROOM HEAD
SCREWS PROVIDED

FLOOR BOX BODY AS INSTALLED / CAST
IN PLACE WITH TEMPORARY COVER
REMOVED. (NOTE: BOX BODY IS 38mm
BELOW FINISHED FLOOR TO SUIT LID
AND FRAME ASSEMBLY)

FLOOR BOX BODY EARTH TAIL
ENSURE CONNECTION TO EARTH
CIRCUIT TO OBTAIN CORRECT EARTHING
AS REQUIRED FOR FLOOR BOX BODY

CUT TILE/TIMBER/FLOOR COVERING
TO THIS EDGE