

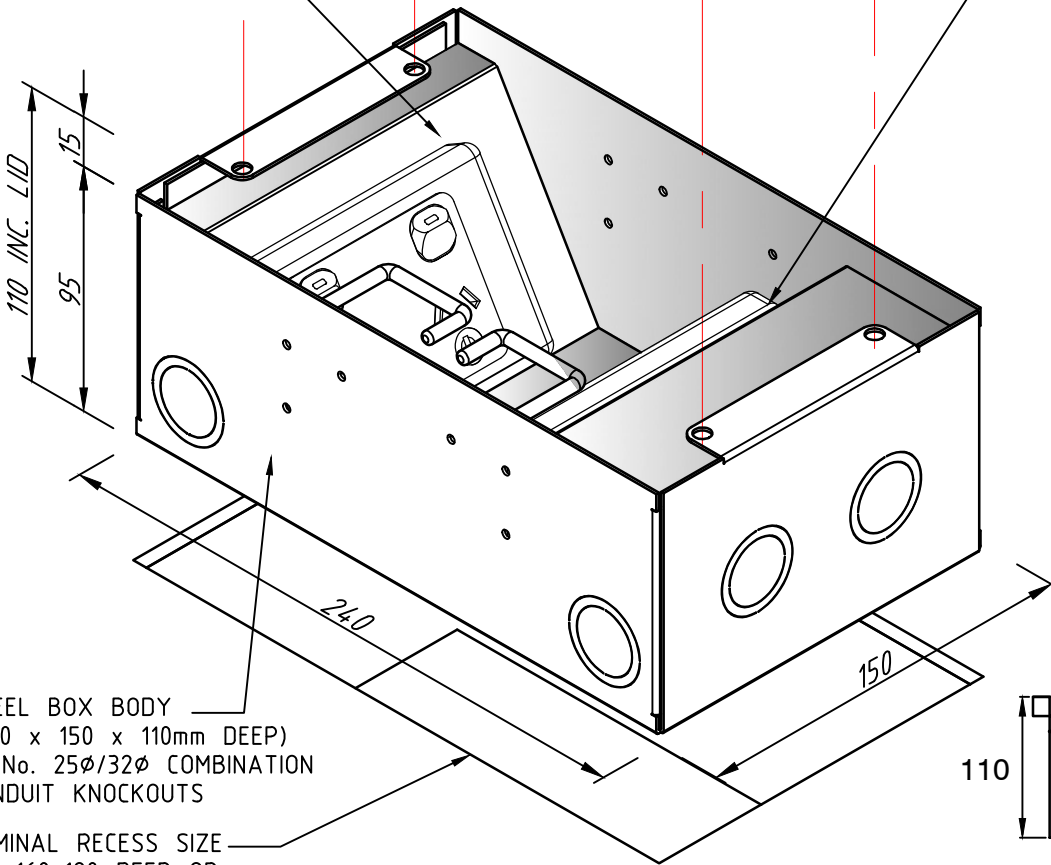
FB2SHD STAINLESS STEEL PLATE LID AND FRAME ASSEMBLY WITH CABLE EXIT, RUBBER DUST SEAL AND RECESSED LIFTING HANDLE. FINISHED FINISH (OVERALL LID SIZE 266 x 176)

OUTLET MOUNTING BRACKET TO SUIT  
1 No. DOUBLE G.P.O.

OUTLET MOUNTING BRACKET TO SUIT  
1 No. STANDARD DATA GRID PLATE

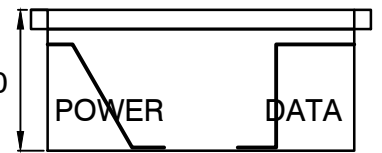


DATA PLATE VIEW



STEEL BOX BODY  
(240 x 150 x 110mm DEEP)  
12 No. 25 $\phi$ /32 $\phi$  COMBINATION  
CONDUIT KNOCKOUTS

NOMINAL RECESS SIZE  
250x160x120 DEEP OR  
300x200x120 FOAM  
BLOCKOUT



SECTION THRU' BOX

Skirting Duct  
Floor Duct  
Wall Duct  
Floor Boxes



Service Posts  
Umbilicals  
Soft Wiring  
Pedestals

**Electric Cable Duct Systems Pty. Ltd.**

Unit 2, 25-37 Chapman Street, Blackburn North. VIC 3130

Tel: (03) 9890 6646

[www.ecd.net.au](http://www.ecd.net.au)

SCALE:	NTS
DATE:	29.06.16
DRAWN:	D.S.C.
CHECKED:	

DRAWING:	<b>FB2SHD FLOOR OUTLET BOX</b> STANDARD CONFIGURATION WITH 2 No. STD. OUTLET S HEAVY DUTY FLUSH STAINLESS STEEL LID & FRAME
----------	---

PROJECT:	
CAT.	FB2SHD
DWG. NO:	D01
REV.	ISSUE. 2