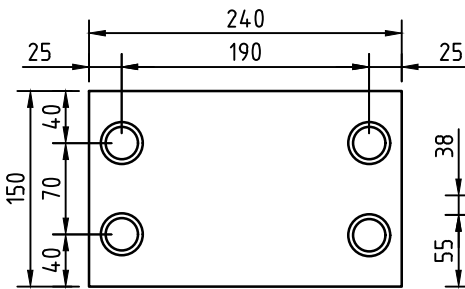
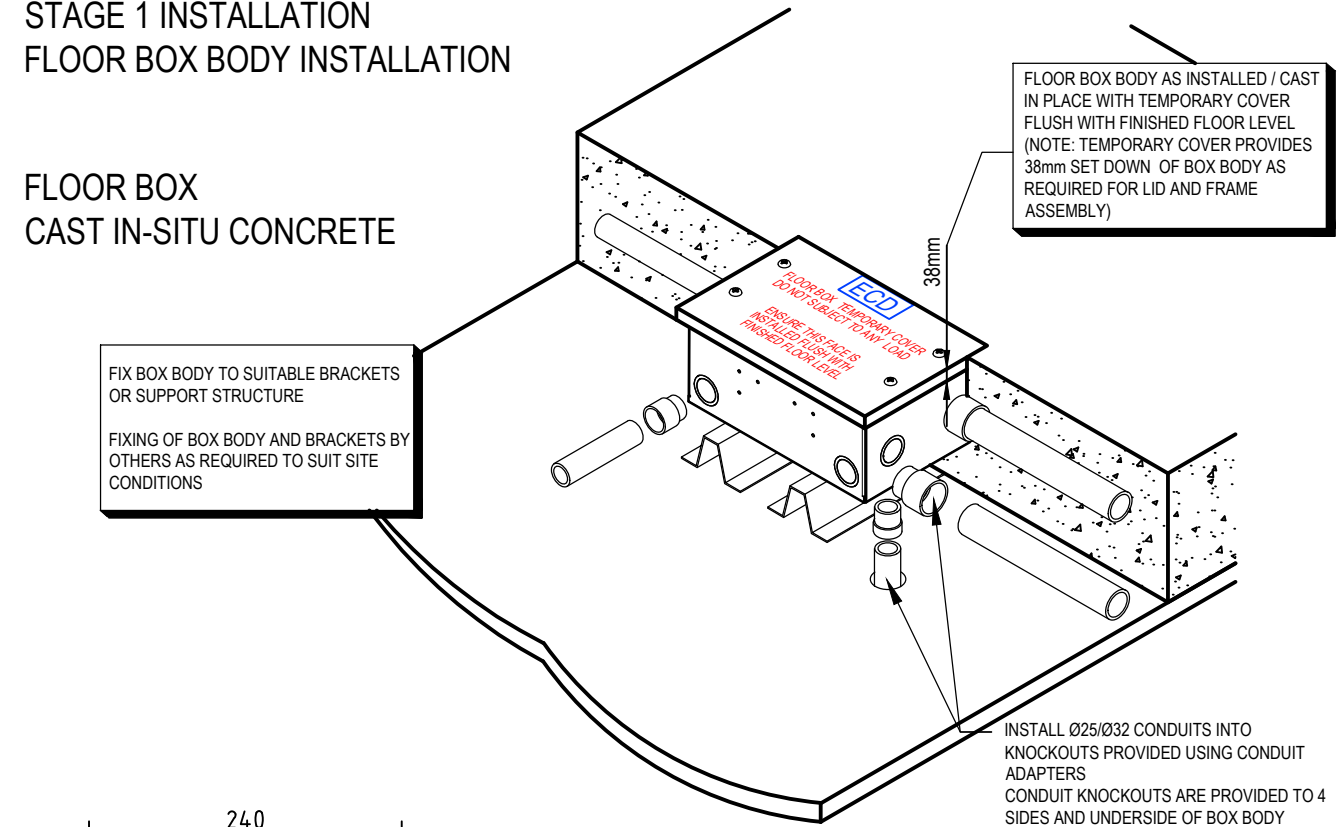


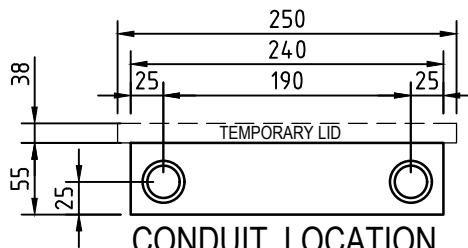
# FB2SDR70 FIT OFF GUIDE

## STAGE 1 INSTALLATION FLOOR BOX BODY INSTALLATION

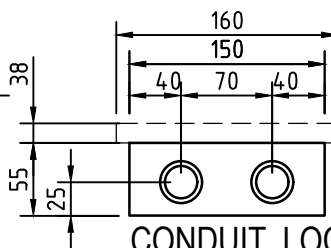
### FLOOR BOX CAST IN-SITU CONCRETE



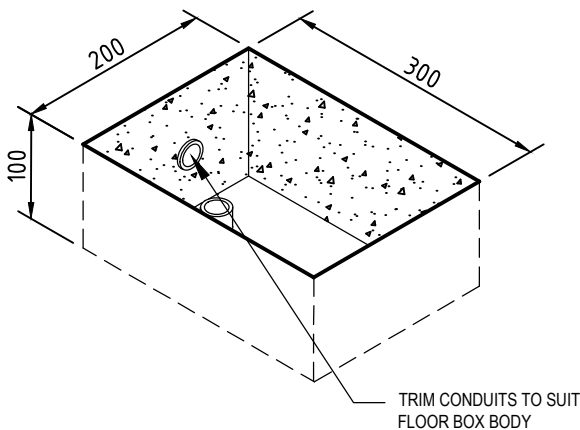
CONDUIT LOCATION  
BOX BASE



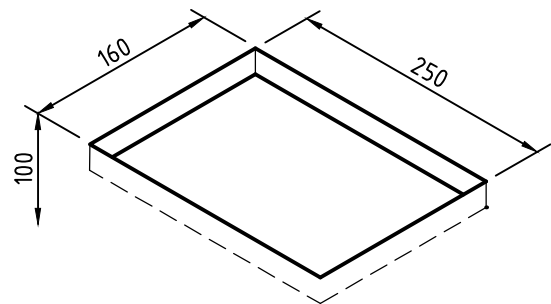
CONDUIT LOCATION  
HINGE & EXIT SIDES



CONDUIT LOCATION  
OUTLET SIDES



CONCRETE BLOCK OUT



TIMBER FLOOR CUT-OUT



ESTABLISHED 1979

**Electric Cable Duct Systems Pty. Ltd.**

Ph: 1300 123 ECD (323) Fax: (03) 9899 5042

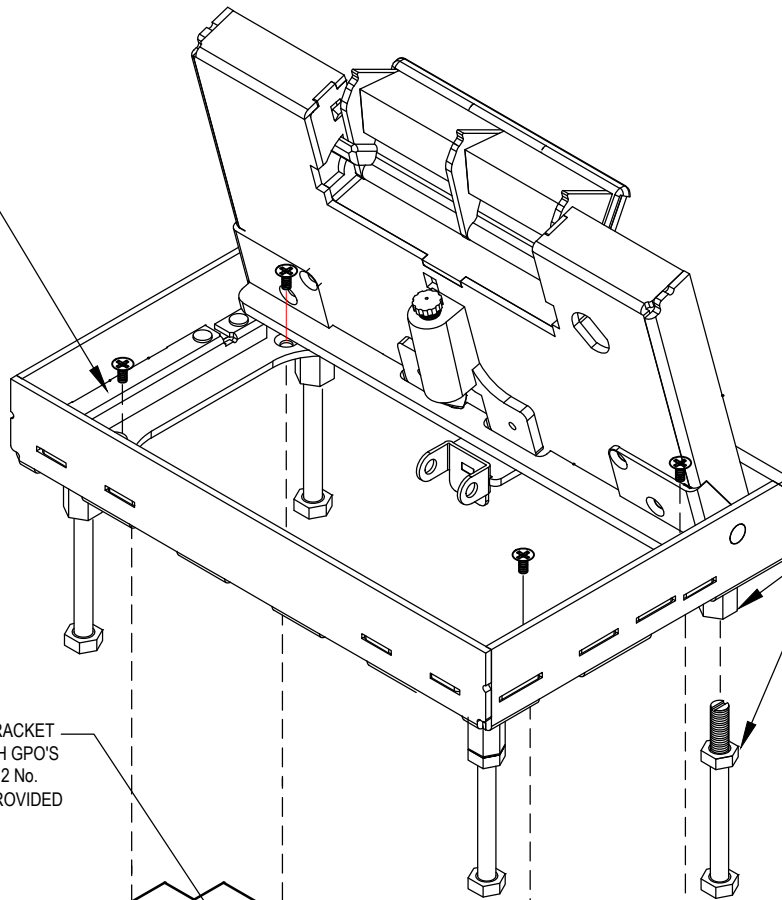
Email: [info@ecd.net.au](mailto:info@ecd.net.au)

[www.ecd.net.au](http://www.ecd.net.au)

ABN 80005544105

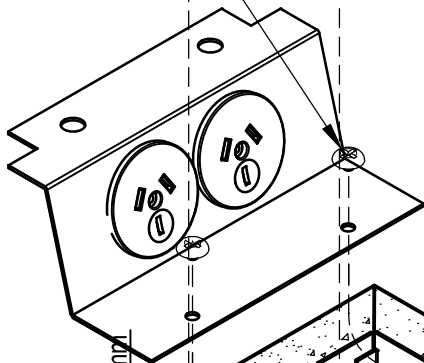
## STAGE 2 INSTALLATION FINAL FIT OFF OF FLOOR BOX

FB2SDR STAINLESS STEEL  
LID AND FRAME ASSEMBLY  
FIX TO FLOOR BOX WITH  
4 No. M4 X 15 CSK  
SCREWS SUPPLIED



LID ADJUSTMENT LEGS  
ADJUST NUT ON LOWER LEG &  
SCREW LOWER LEG INTO  
PROVISION ON LID FRAME,  
ENSURING LEG REACHES  
FLOOR BOX BASE & LID  
ACHIEVES DESIRED LEVEL

POWER OUTLET MOUNTING BRACKET  
COMPLETE WITH AUTO SWITCH GPO'S  
FIX PLATE TO BOX BODY WITH 2 No.  
MUSHROOM HEAD SCREWS PROVIDED



VOICE / DATA / AV OUTLET  
MOUNTING BRACKET  
COMPLETE WITH 6 DATA  
MOUNTING BEZELS  
FIX PLATE TO BOX BODY WITH  
2 No. MUSHROOM HEAD  
SCREWS PROVIDED

FLOOR BOX BODY AS INSTALLED / CAST  
IN PLACE WITH TEMPORARY COVER  
REMOVED. (NOTE: BOX BODY IS 38mm  
BELOW FINISHED FLOOR TO SUIT LID  
AND FRAME ASSEMBLY)

38mm

FLOOR BOX BODY EARTH TAIL  
ENSURE CONNECTION TO EARTH  
CIRCUIT TO OBTAIN CORRECT EARTHING  
AS REQUIRED FOR FLOOR BOX BODY

CUT TILE/TIMBER/FLOOR COVERING  
TO THIS EDGE



**Electric Cable Duct Systems Pty. Ltd.**

Ph: 1300 123 ECD (323) Fax: (03) 9899 5042

Email: [info@ecd.net.au](mailto:info@ecd.net.au)

[www.ecd.net.au](http://www.ecd.net.au)

ABN 80005544105