

Flush Floor Box Deep Recessed, Brass, Soft Close

AT A GLANCE...

- Capacity: 2 standard sized plates
- Box Size: 250 x 160 x 133 mm Deep
- Lid Material: Brass – No. 4 Linished
- Lid Recess: 20 mm Deep
- Suitable for: Cat6A & Cat7A Cabling

“Easy as ECD®”



- Recessed Brass Lid and Frame with 20mm rebate for floor finish (typically polished timber boards or ceramic tiles).
- Solid Brass lid construction with No. 4 Linished finish.
- Adjustable Soft Closer to control lid closure – suits floor finish infills up to 2kg (eg. timber packer & carpet, full timber, ceramic tile or stone).
- Frame has square edges (not bevelled) to allow flush fitting to adjacent floor finish.
- Height adjustable lid and frame.
- Robust, large capacity cable exit flap with CableShield and brass lifting handle.
- Option to fit cam lock if required.
- Capacity for 2 standard outlet plates (1 x double power and 1 x Data and/or A.V.).
- Suitable for category 6A and 7A data cabling with generous bend radius capacity.
- Suitable for Audio / Video outlets including VGA, HDMI, USB, etc.
- Modular box body and lid design, interchangeable with plastic and other lids in the ECD® floor box range.



ESTABLISHED 1979

Electric Cable Duct Systems P/L

Phone: 1300 123 ECD (323)

Email: info@ecd.net.au

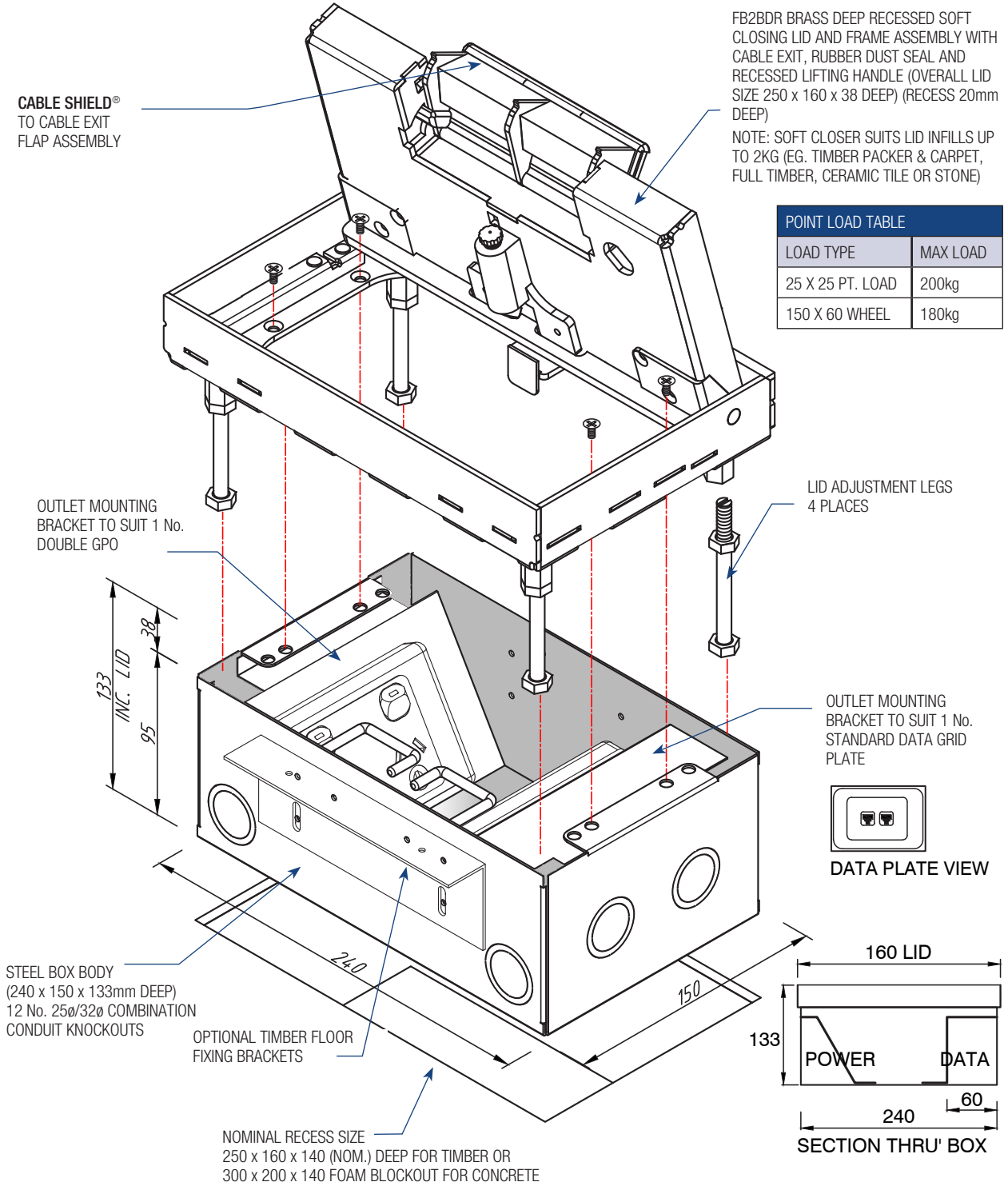
Fax: 1300 372 825

website: www.ecd.net.au

ABN 80005544105

ASSEMBLY DIAGRAM

FLUSH FLOOR BOX – DEEP RECESSED, BRASS, SOFT CLOSE – FB2BDR



POINT LOAD TABLE	
LOAD TYPE	MAX LOAD
25 X 25 PT. LOAD	200kg
150 X 60 WHEEL	180kg

