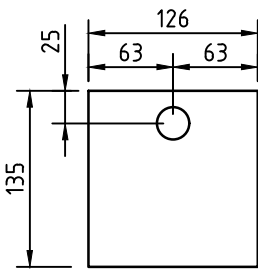
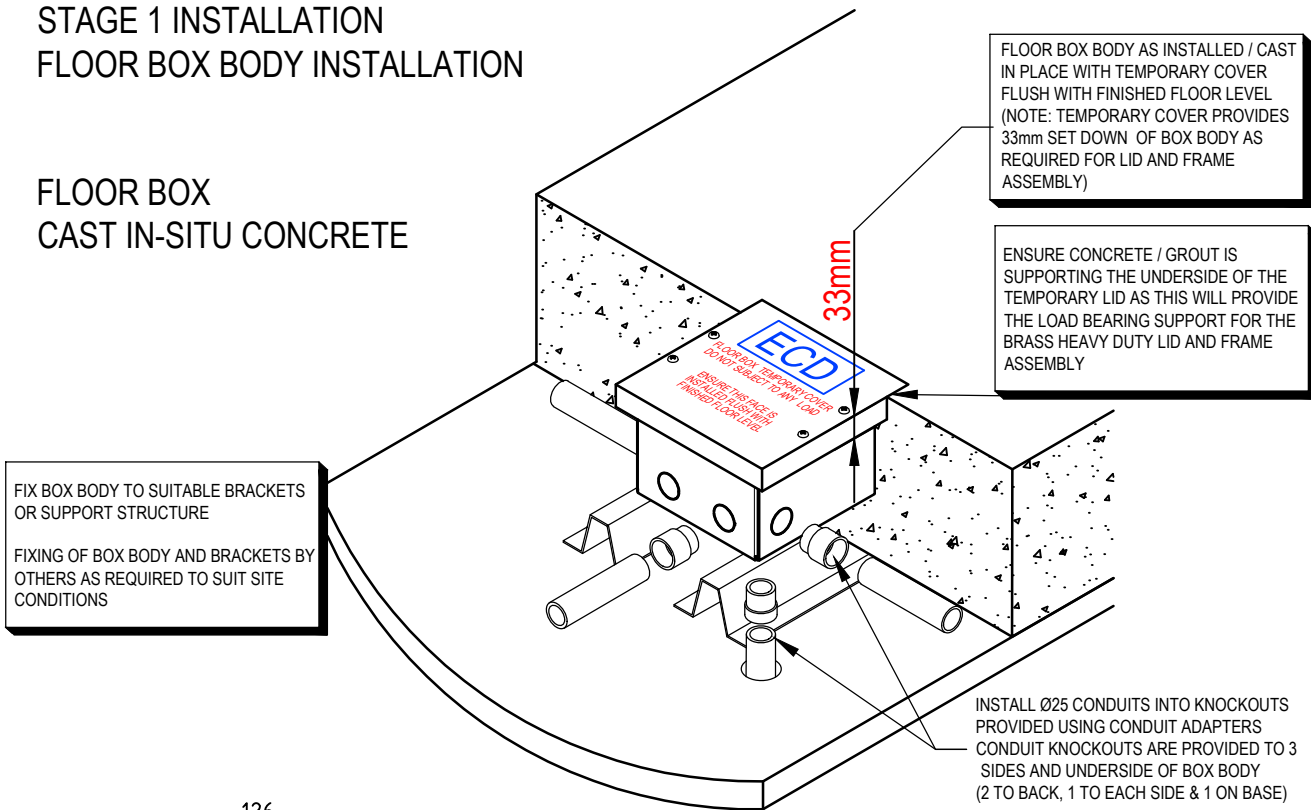


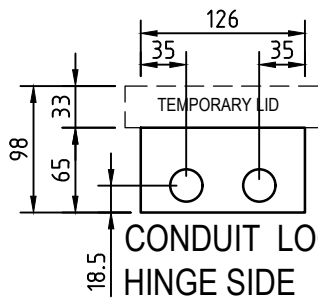
# FB1BDRHD70 FIT OFF GUIDE

## STAGE 1 INSTALLATION FLOOR BOX BODY INSTALLATION

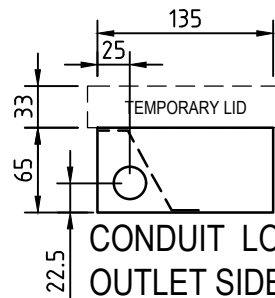
### FLOOR BOX CAST IN-SITU CONCRETE



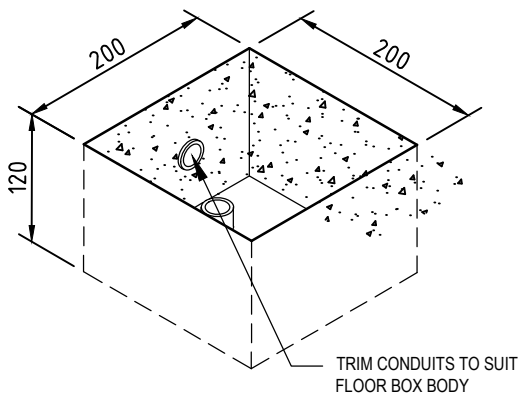
CONDUIT LOCATION  
BOX BASE



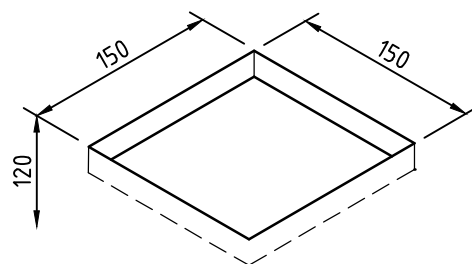
CONDUIT LOCATION  
HINGE SIDE



CONDUIT LOCATION  
OUTLET SIDES



CONCRETE BLOCK OUT



TIMBER FLOOR CUT-OUT



**Electric Cable Duct Systems Pty. Ltd.**

Ph: 1300 123 ECD (323) Fax: (03) 9899 5042

Email: [info@ecd.net.au](mailto:info@ecd.net.au)

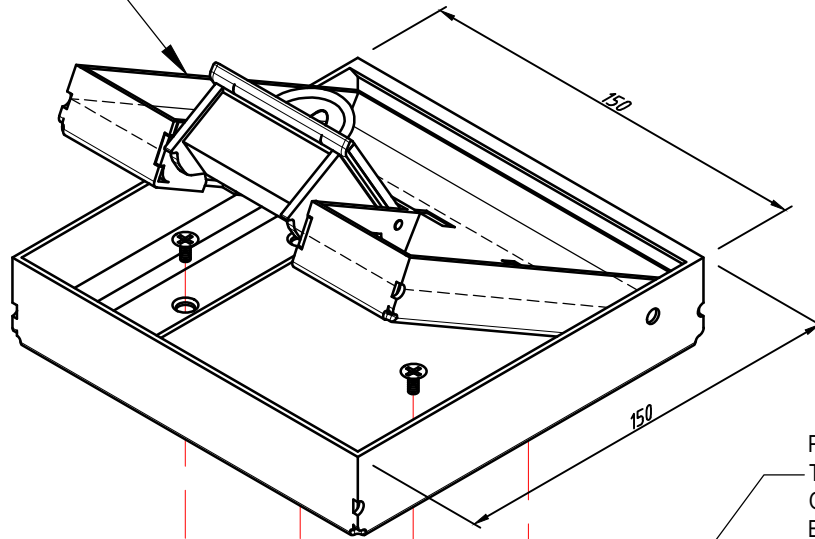
[www.ecd.net.au](http://www.ecd.net.au)

ABN 80005544105

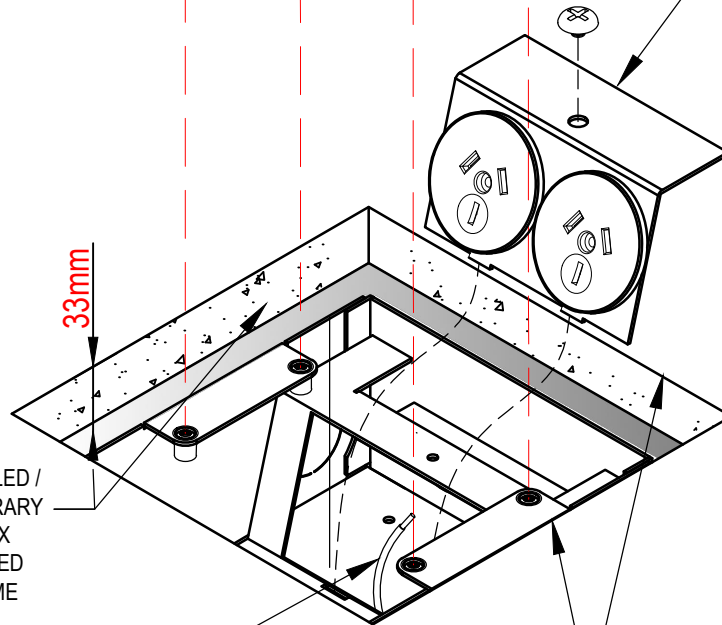
ECD ECD ECD ECD ECD ECD ECD ECD ECD ECD

## STAGE 2 INSTALLATION FINAL FIT OFF OF FLOOR BOX

LID AND FRAME ASSEMBLY  
FIX TO FLOOR BOX WITH  
4 No. M4 X 20 CSK SCREWS SUPPLIED



POWER OUTLET MOUNTING  
TO SUIT 2 No. AUTO SWITCH  
GPO's FIX PLATE TO BOX  
BODY WITH 1 No. MUSHROOM  
HEAD SCREWS PROVIDED



FLOOR BOX BODY AS INSTALLED /  
CAST IN PLACE WITH TEMPORARY  
COVER REMOVED. (NOTE: BOX  
BODY IS 33mm BELOW FINISHED  
FLOOR TO SUIT LID AND FRAME  
ASSEMBLY)

FLOOR BOX BODY EARTH TAIL  
ENSURE CONNECTION TO EARTH  
CIRCUIT TO OBTAIN CORRECT EARTHING  
AS REQUIRED FOR FLOOR BOX BODY

CUT CARPET/VINYL/FLOOR  
COVERING TO THIS EDGE



**Electric Cable Duct Systems Pty. Ltd.**

Ph: 1300 123 ECD (323) Fax: (03) 9899 5042

Email: [info@ecd.net.au](mailto:info@ecd.net.au)

[www.ecd.net.au](http://www.ecd.net.au)

ABN 80005544105