

Brass Floor Box 20mm Deep Recess**AT A GLANCE...**

- Capacity: 2 x single auto switch power outlets
- Box Size: 150 x 150 x 97mm deep
- Lid Material: Brass
- Lid Rebate: 20mm deep
- Suitable for: Compact installations
- Load Rating: 120kg (per foot = foot traffic)

- A versatile, practical and decorative solution for your open plan cabling needs.
- Recessed brass lid and frame with 20mm rebate for floor finish (typically polished timber boards or ceramic tiles).
- Frame has square edges (not bevelled) to allow flush fitting to adjacent floor finish.
- Solid brass lid construction with No. 4 Linished finish.
- Robust cable exit flap with Cable Shield® and brass lifting handle.
- Capacity for 2 x single auto switch power outlets (supplied).
- Supplied with temporary construction lid.
- This product has been examined in accordance with AS 3000 and conforms to A.C.M.A. requirements.

“Easy as ECD®”

ESTABLISHED 1979

Electric Cable Duct Systems P/L

Phone: 1300 123 ECD (323)

Email: info@ecd.net.au

Fax: 1300 372 825

website: www.ecd.net.au

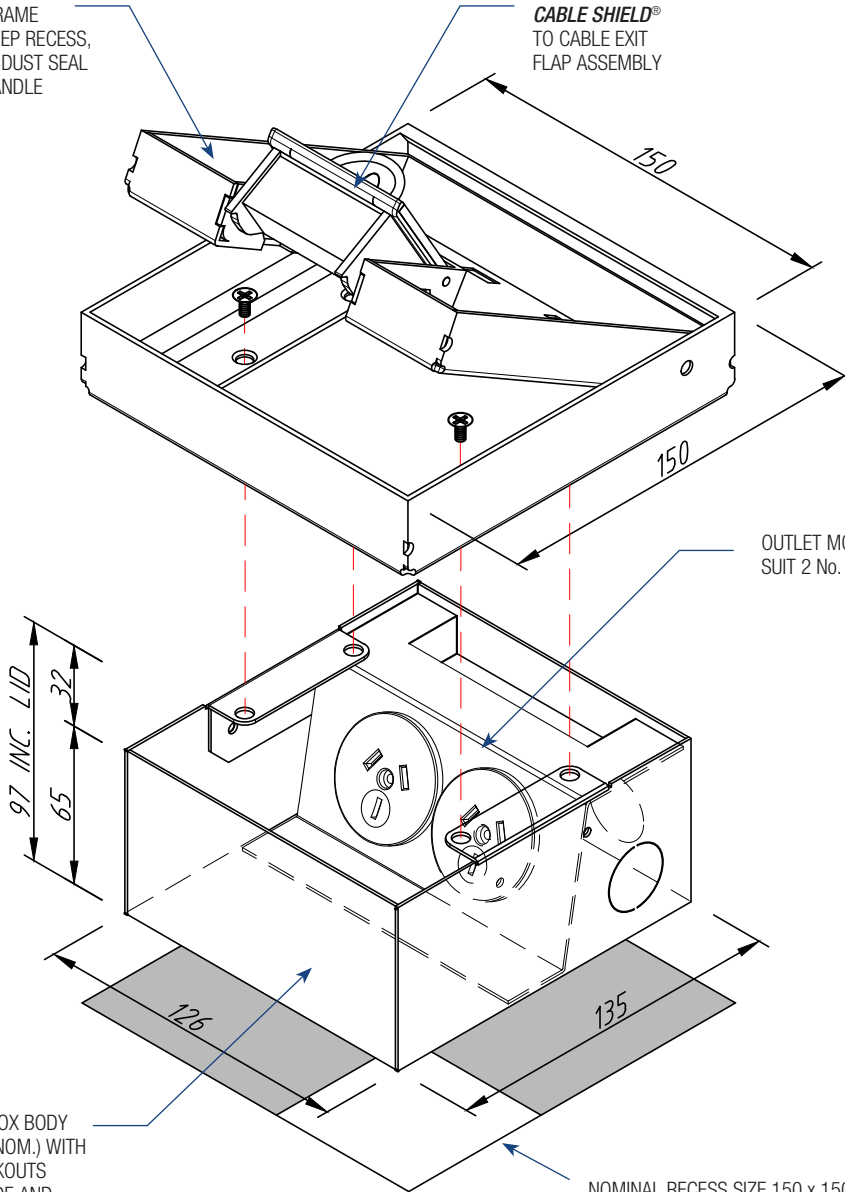
ABN 80005544105

ASSEMBLY DIAGRAM

BRASS FLOOR BOX – 20MM DEEP RECESS – FB1BDR70

FB1BDR BRASS LID AND FRAME ASSEMBLY WITH 20mm DEEP RECESS, CABLE EXIT FLAP, RUBBER DUST SEAL AND RECESSED LIFTING HANDLE (150 X 150 X 32mm O/A)

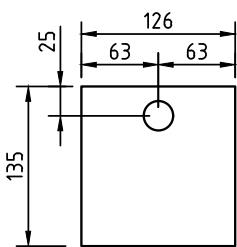
CABLE SHIELD® TO CABLE EXIT FLAP ASSEMBLY



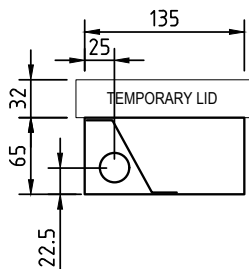
OUTLET MOUNTING BRACKET TO SUIT 2 No. AUTO SWITCH GPOs

POWDER COATED STEEL BOX BODY 126 x 135 x 65mm DEEP (NOM.) WITH 5 No. 25ø CONDUIT KNOCKOUTS (2 TO BACK, 1 TO EACH SIDE AND 1 ON BASE)

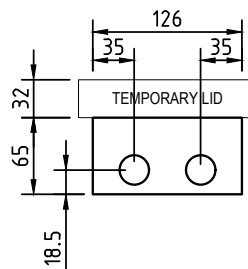
NOMINAL RECESS SIZE 150 x 150 x 105 DEEP FOR TIMBER FLOOR OR 175 x 175 x 110 FOAM BLOCKOUT FOR CONCRETE (PART No. FB170F)



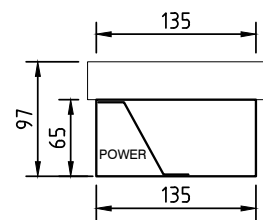
CONDUIT LOCATION BOX BASE



CONDUIT LOCATION LONG SIDES



CONDUIT LOCATION SHORT (HINGE) SIDE



SECTION THRU' BOX