

## Stainless Steel Flush Floor Box Round Lid

### AT A GLANCE...

- Capacity: 1 x standard size GPO and 3 x voice data outlets
- Box Size: 125 x 125 x 110 mm deep
- Lid Size: 175 mm diam. x 3 mm thick
- Lid Finish: Linished Stainless Steel
- Suitable for: Compact installations

**“Easy as ECD®”**

- Compact and stylish, the FB175 Series of Flush Floor Boxes provide ready access to power and communication outlets recessed in the floor.
- Suitable for use in: Modern open plan living areas, home theatres, showrooms, shop-front displays, boardroom tables, schools, universities, and public buildings.
- Available in stainless steel, the hard wearing 3 mm thick lid bevels down to a fine edge under foot and is suitable for use with polished floor boards, carpet, ceramic tiles and vinyl floor coverings (not suitable for use in wet areas).
- Capacity 1 x standard size GPO and 3 x data (bezels supplied).
- Cable exit flap allows cables to exit the box when in use and close flat when not in use.
- A versatile, practical and decorative solution to your open plan cabling needs.
- This product has been examined in accordance with AS 3000 and conforms to A.C.M.A. requirements.



ESTABLISHED 1979

**Electric Cable Duct Systems P/L**

Phone: 1300 123 ECD (323)

Email: [info@ecd.net.au](mailto:info@ecd.net.au)

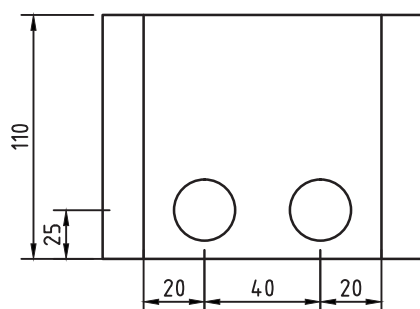
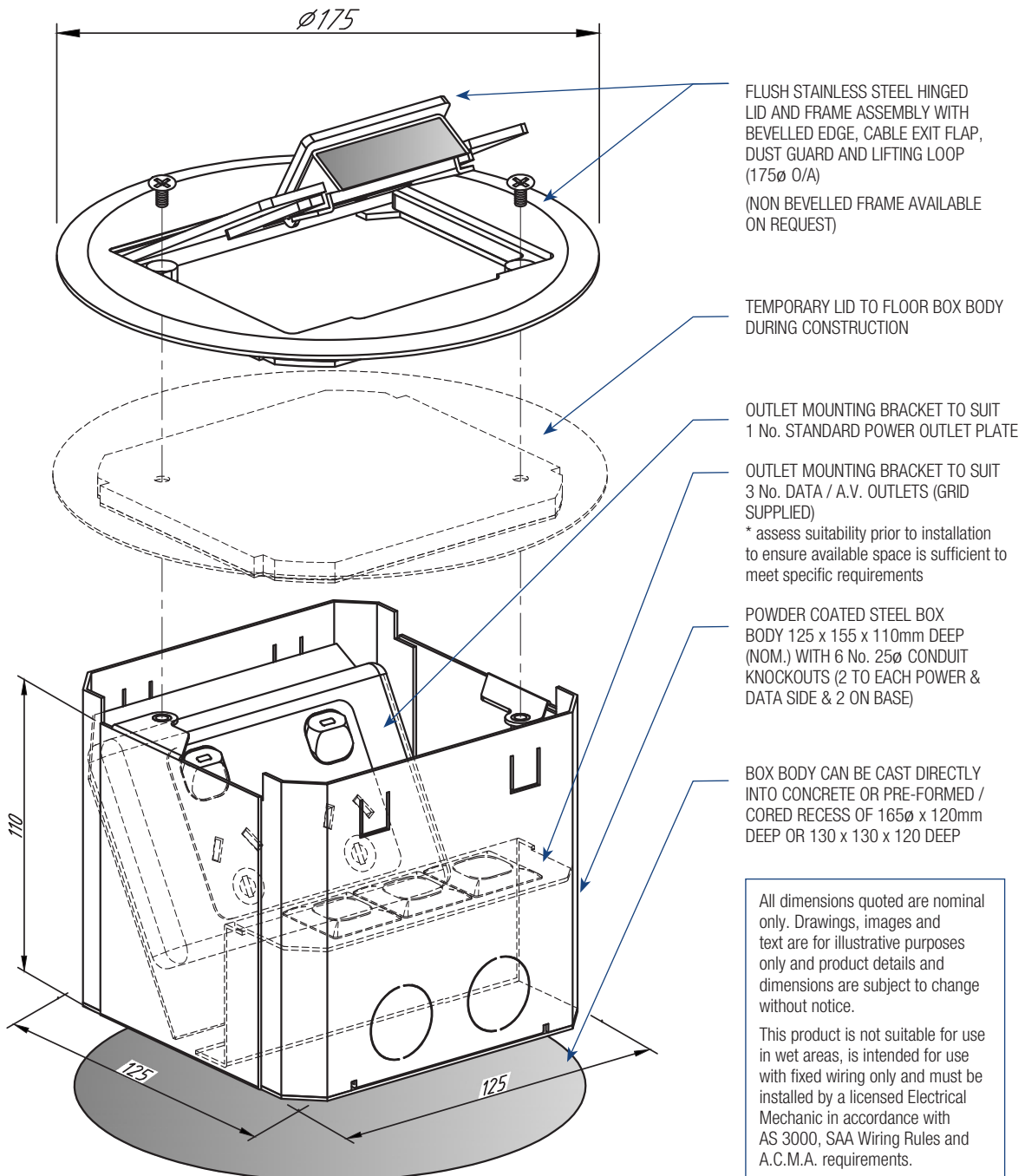
Fax: 1300 372 825

website: [www.ecd.net.au](http://www.ecd.net.au)

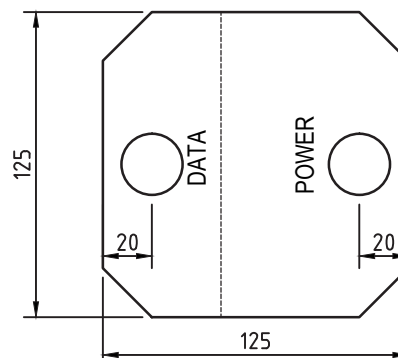
ABN 80005544105

## ASSEMBLY DIAGRAM

### STAINLESS STEEL FLUSH FLOOR BOX – ROUND LID – FB175



CONDUIT LOCATION  
HINGE & EXIT SIDES



CONDUIT LOCATION  
BOX BASE