

**Brass Floor Box** 20mm Deep Recess**AT A GLANCE...**

- Capacity: 1 standard size GPO  
1 No. 3 Gang Data Plate
- Box Size: 150 x 150 x 120 mm Deep
- Lid Material: Brass
- Lid Rebate: 20 mm Deep
- Suitable for: Compact installations

**“Easy as ECD®”**

- Recessed brass lid and frame with 20 mm rebate for floor finish (typically polished timber boards or ceramic tiles).
- Suitable for use in: Modern open plan living areas, home theatres, showrooms, shop-front displays, schools, universities, and public buildings.
- Available in solid brass, the 150 x 150 mm lid installs flush, provides minimum disruption to the floor finish and is suitable for use with polished floor boards, carpet, ceramic tiles and vinyl floor coverings (not suitable for use in wet areas).
- Capacity 1 x double GPO and 3 x Data (grid plate supplied).
- The cable exit flap allows cables out of the box when in use and closes flat when not in use.
- A versatile, practical and decorative solution to your open plan cabling needs.
- Supplied with temporary construction lid.
- This product has been examined in accordance with AS 3000 and conforms to A.C.M.A. requirements.



ESTABLISHED 1979

**Electric Cable Duct Systems P/L**

Phone: 1300 123 ECD (323)

Email: [info@ecd.net.au](mailto:info@ecd.net.au)

Fax: 1300 372 825

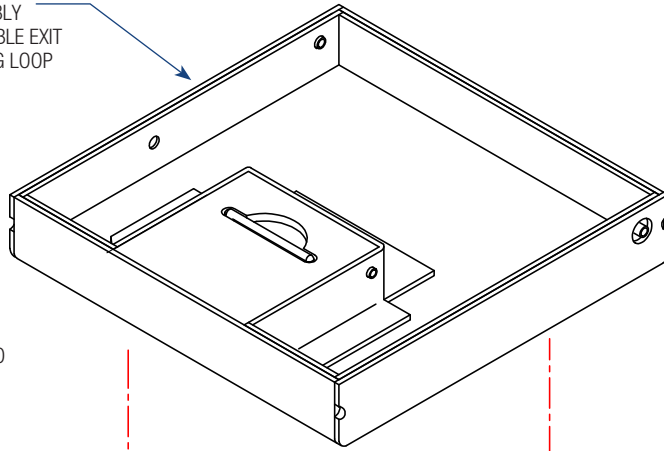
website: [www.ecd.net.au](http://www.ecd.net.au)

ABN 80005544105

## ASSEMBLY DIAGRAM

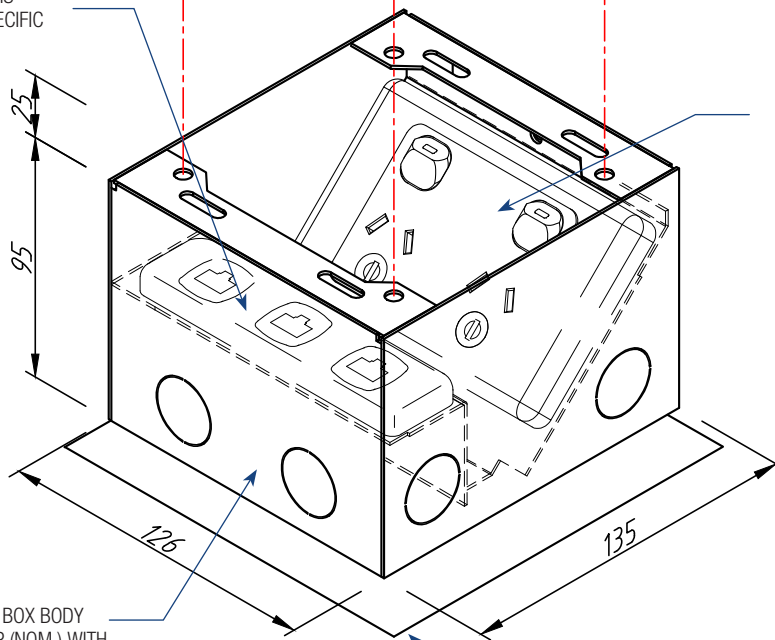
### BRASS FLOOR BOX – 20MM DEEP RECESS – FB149BR

BRASS LID AND FRAME ASSEMBLY  
WITH 20 mm DEEP RECESS, CABLE EXIT  
FLAP, DUST GUARD AND LIFTING LOOP  
(150 X 150 X 25 mm O/A)



OUTLET MOUNTING BRACKET TO  
SUIT 1 No. 3 GANG ARCHITRAVE  
PLATE FOR DATA / A.V.  
(GRID SUPPLIED)

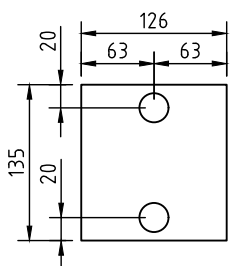
\*ASSESS SUITABILITY PRIOR  
TO INSTALLATION TO ENSURE  
AVAILABLE DATA SPACE IS  
SUFFICIENT TO MEET SPECIFIC  
REQUIREMENTS



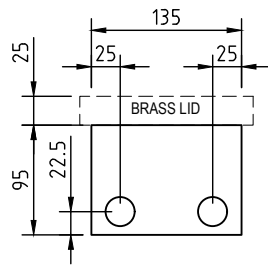
OUTLET MOUNTING BRACKET TO  
SUIT 1 No. STANDARD POWER  
OUTLET PLATE (NOT SUPPLIED)

POWDER COATED STEEL BOX BODY  
126 x 135 x 95 mm DEEP (NOM.) WITH  
10 No. 25 $\phi$  CONDUIT KNOCKOUTS  
(2 EACH SIDE & 2 ON BASE)

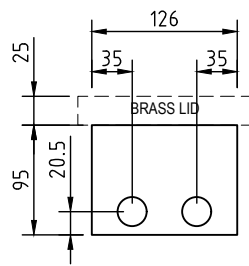
NOMINAL RECESS SIZE 150 x 150 x 130 DEEP FOR  
TIMBER FLOOR OR 175 x 175 x 140 FOAM BLOCKOUT  
FOR CONCRETE (PART No. FB149F)



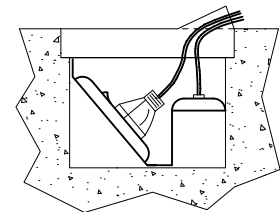
CONDUIT LOCATION  
BOX BASE



CONDUIT LOCATION  
LONG SIDES



CONDUIT LOCATION  
SHORT (HINGE & EXIT) SIDES



ASSEMBLED SIDE VIEW OF FB149BR  
TWO COMPARTMENT FLOOR BOX  
SHOWING CABLE EXIT FLAP IN USE