

## Stainless Steel Floor Box 20mm Deep Recess

### AT A GLANCE...

- Capacity: 1 standard size GPO  
1 No. 3 Gang Data Plate
- Box Size: 150 x 150 x 120 mm Deep
- Lid Material: Stainless Steel
- Lid Rebate: 20 mm Deep
- Suitable for: Compact installations

**“Easy as ECD®”**

- Recessed Stainless Steel lid and frame with 20 mm rebate for floor finish (typically polished timber boards or ceramic tiles).
- Suitable for use in: Modern open plan living areas, home theatres, showrooms, shop-front displays, schools, universities, and public buildings.
- Available in Stainless Steel, the hard wearing 150 x 150 mm lid installs flush, provides minimum disruption to the floor finish and is suitable for use with polished floor boards, carpet, ceramic tiles and vinyl floor coverings (not suitable for use in wet areas).
- Capacity 1 x double GPO and 3 x Data (grid plate supplied).
- The cable exit flap allows cables out of the box when in use and closes flat when not in use.
- A versatile, practical and decorative solution to your open plan cabling needs.
- Supplied with temporary construction lid.
- This product has been examined in accordance with AS 3000 and conforms to A.C.M.A. requirements.



ESTABLISHED 1979

**Electric Cable Duct Systems P/L**

Phone: 1300 123 ECD (323)

Email: [info@ecd.net.au](mailto:info@ecd.net.au)

Fax: 1300 372 825

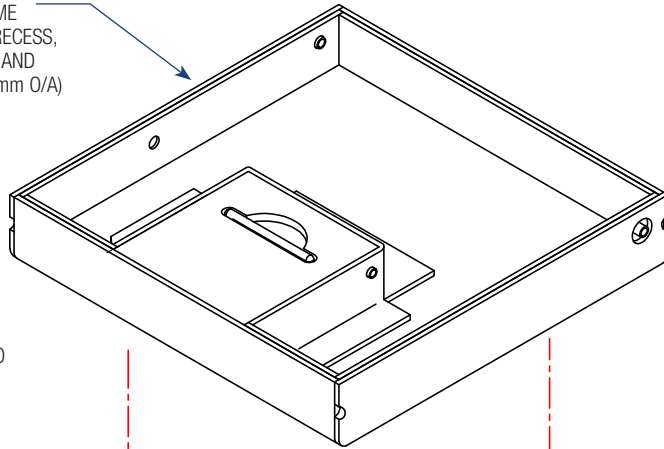
website: [www.ecd.net.au](http://www.ecd.net.au)

ABN 80005544105

## ASSEMBLY DIAGRAM

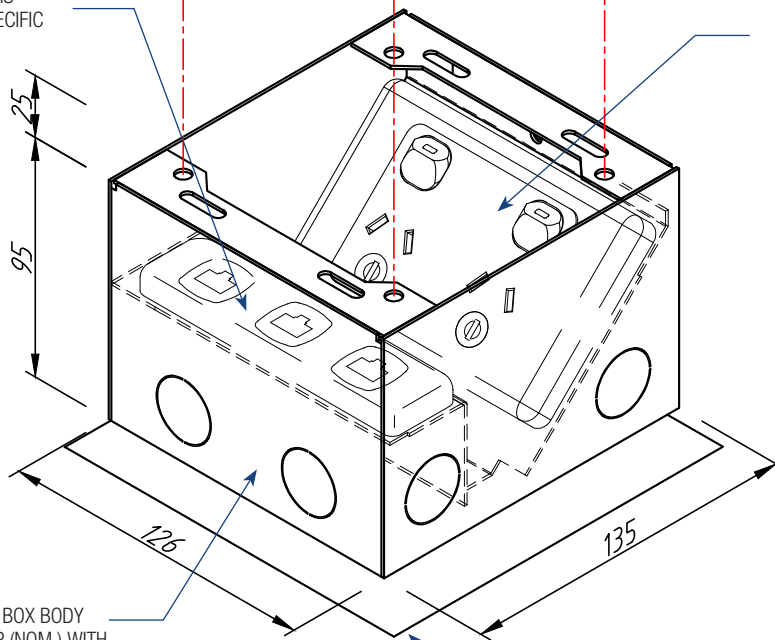
### STAINLESS STEEL FLOOR BOX – 20MM DEEP RECESS – FB149

STAINLESS STEEL LID AND FRAME ASSEMBLY WITH 20 mm DEEP RECESS, CABLE EXIT FLAP, DUST GUARD AND LIFTING LOOP (150 X 150 X 25 mm O/A)



OUTLET MOUNTING BRACKET TO SUIT 1 No. 3 GANG ARCHITRAVE PLATE FOR DATA / A.V. (GRID SUPPLIED)

\*ASSESS SUITABILITY PRIOR TO INSTALLATION TO ENSURE AVAILABLE DATA SPACE IS SUFFICIENT TO MEET SPECIFIC REQUIREMENTS



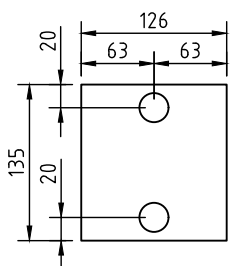
All dimensions quoted are nominal only. Drawings, images and text are for illustrative purposes only and product details and dimensions are subject to change without notice.

This product is not suitable for use in wet areas, is intended for use with fixed wiring only and must be installed by a licensed Electrical Mechanic in accordance with AS 3000, SAA Wiring Rules and A.C.M.A. requirements.

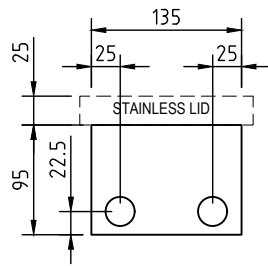
OUTLET MOUNTING BRACKET TO SUIT 1 No. STANDARD POWER OUTLET PLATE (NOT SUPPLIED)

POWDER COATED STEEL BOX BODY 126 x 135 x 95 mm DEEP (NOM.) WITH 10 No. 25ø CONDUIT KNOCKOUTS (2 EACH SIDE & 2 ON BASE)

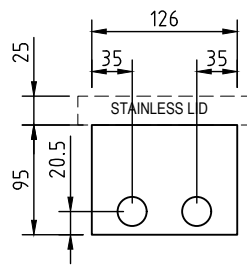
NOMINAL RECESS SIZE 150 x 150 x 130 DEEP FOR TIMBER FLOOR OR 175 x 175 x 140 FOAM BLOCKOUT FOR CONCRETE (PART No. FB149F)



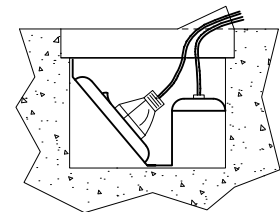
CONDUIT LOCATION BOX BASE



CONDUIT LOCATION LONG SIDES



CONDUIT LOCATION SHORT (HINGE & EXIT) SIDES



ASSEMBLED SIDE VIEW OF FB149 TWO COMPARTMENT FLOOR BOX SHOWING CABLE EXIT FLAP IN USE