

Black Floor Box

AT A GLANCE...

- Capacity: 1 standard sized GPO
1 No. 3 Gang Data Plate
- Box Size: 135 x 126 x 95 mm Deep
- Lid Finish: Black
- Suitable for: Compact installations

“Easy as ECD®”

- Compact and stylish, the FB148BK Series of Flush Floor Boxes provide ready access to power and communication outlets recessed in the floor.
- Suitable for use in: Modern open plan living areas, home theatres, showrooms, shop-front displays, boardroom tables, schools, universities, and public buildings.
- Available in Black, the hard wearing 145 x 145 mm lid bevels down to a fine edge under foot and is suitable for use with polished floor boards, carpet, ceramic tiles and vinyl floor coverings (not suitable for use in wet areas).
- Capacity 1 x double GPO and 3 x Data (grid plate supplied).
- Two small flaps allow cables out of the box when in use and close flat when not in use.
- A versatile, practical and decorative solution to your open plan cabling needs.
- This product has been examined in accordance with AS 3000 and conforms to A.C.M.A. requirements.



ESTABLISHED 1979

Electric Cable Duct Systems P/L

Phone: 1300 123 ECD (323)

Email: info@ecd.net.au

Fax: 1300 372 825

website: www.ecd.net.au

ABN 80005544105

ASSEMBLY DIAGRAM

BLACK FLOOR BOX – FB148BK

FLUSH BLACK LID AND FRAME ASSEMBLY WITH BEVELLED EDGE AND TWO FOLD DOWN CABLE EXIT FLAPS (145 x 145 mm)

OUTLET MOUNTING BRACKET TO SUIT 1 No. 3 GANG ARCHITRAVE PLATE FOR DATA / A.V. (GRID SUPPLIED)

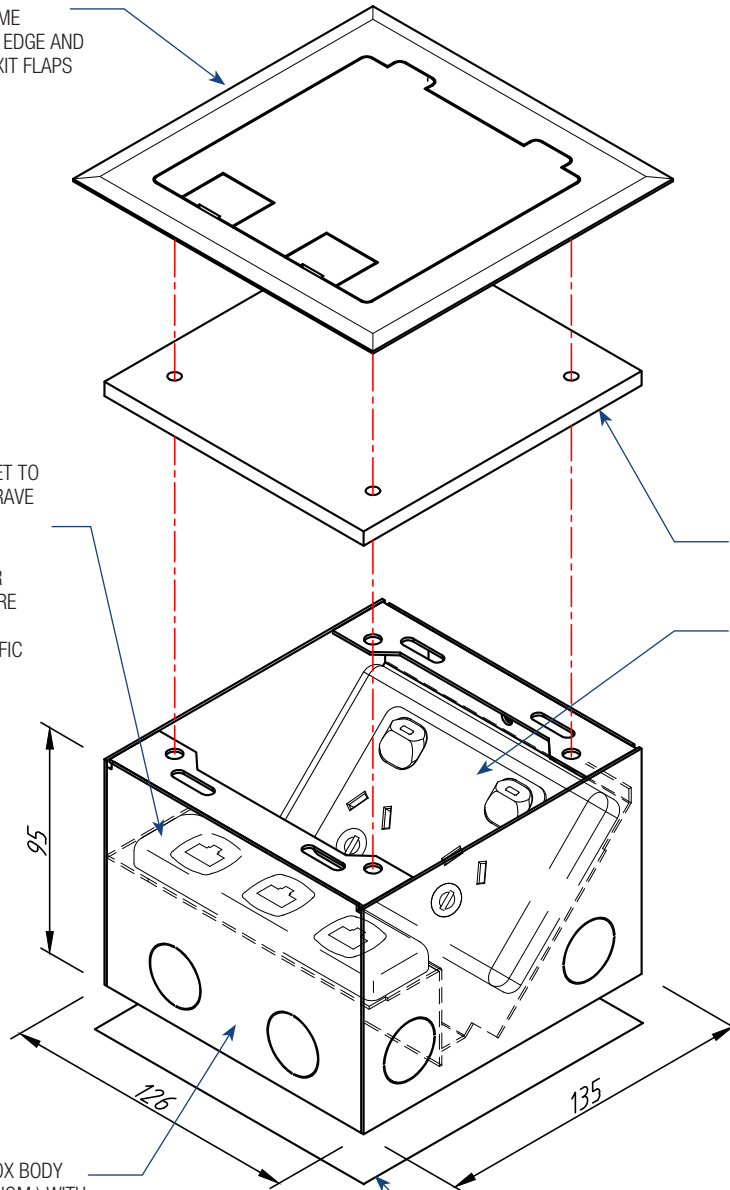
*ASSESS SUITABILITY PRIOR TO INSTALLATION TO ENSURE AVAILABLE DATA SPACE IS SUFFICIENT TO MEET SPECIFIC REQUIREMENTS

All dimensions quoted are nominal only. Drawings, images and text are for illustrative purposes only and product details and dimensions are subject to change without notice.

This product is not suitable for use in wet areas, is intended for use with fixed wiring only and must be installed by a licensed Electrical Mechanic in accordance with AS 3000, SAA Wiring Rules and A.C.M.A. requirements.

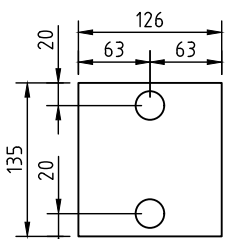
TEMPORARY LID TO FLOOR BOX BODY DURING CONSTRUCTION

OUTLET MOUNTING BRACKET TO SUIT 1 No. STANDARD POWER OUTLET PLATE (NOT SUPPLIED)

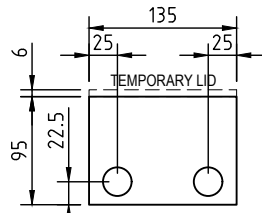


POWDER COATED STEEL BOX BODY 126 x 135 x 95 mm DEEP (NOM.) WITH 10 No. 25 ϕ CONDUIT KNOCKOUTS (2 EACH SIDE & 2 ON BASE)

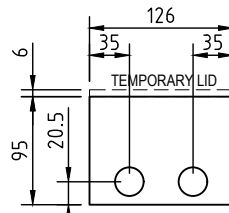
NOMINAL RECESS SIZE 138 x 129 x 105 DEEP FOR TIMBER FLOOR OR 155 x 155 x 115 FOAM BLOCKOUT FOR CONCRETE (PART No. FB140F)



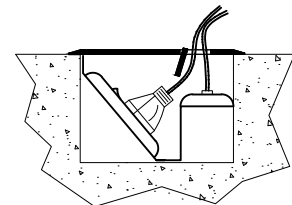
CONDUIT LOCATION BOX BASE



CONDUIT LOCATION LONG SIDES



CONDUIT LOCATION SHORT (HINGE & EXIT) SIDES



ASSEMBLED SIDE VIEW OF FB148BK TWO COMPARTMENT FLOOR BOX SHOWING CABLE EXIT FLAP IN USE