

## Stainless Steel Floor Box

### AT A GLANCE...

- Capacity: 1 standard sized plate
- Box Size: 135 x 126 x 95 mm Deep
- Lid Material: Stainless Steel
- Suitable for: Compact installations  
GPO/USB combination outlets

**“Easy as ECD®”**

- Compact and stylish, the FB145SQ Flush Floor Box provides ready access to power (or communication) outlets recessed in the floor.
- Suitable for use in: Modern open plan living areas, home theatres, showrooms, shop-front displays, boardroom tables, schools, universities, and public buildings.
- Available in Stainless Steel, the hard wearing 145 x 145 x 5 mm thick lid has a ‘non’ bevelled square edge suitable for a flush finish with tiled, timber or other hard finish floors (not suitable for use in wet areas).
- Capacity 1 x double GPO.
- Deeper outlet mounting plate allows for combination GPOs (with USB or HDMI).
- Two small flaps allow cables out of the box when in use and close flat when not in use.
  - A versatile, practical and decorative solution to your open plan cabling needs.
  - This product has been examined in accordance with AS 3000 and conforms to A.C.M.A. requirements.



ESTABLISHED 1979

**Electric Cable Duct Systems P/L**

Phone: 1300 123 ECD (323)

Email: [info@ecd.net.au](mailto:info@ecd.net.au)

Fax: 1300 372 825

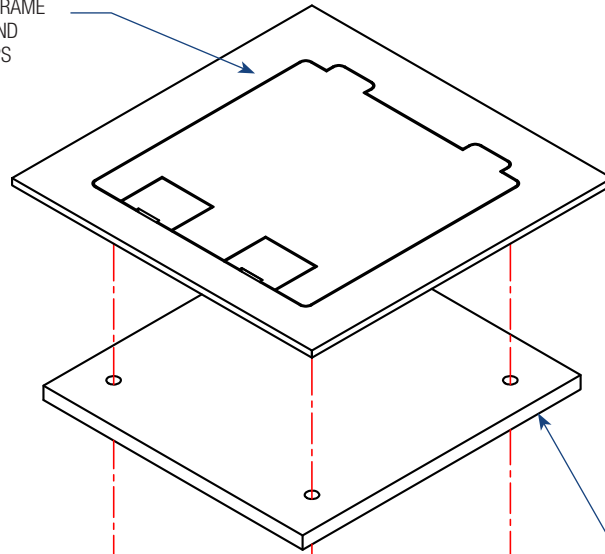
website: [www.ecd.net.au](http://www.ecd.net.au)

ABN 80005544105

## ASSEMBLY DIAGRAM

### STAINLESS STEEL FLOOR BOX – FB145SQ

FLUSH STAINLESS STEEL LID AND FRAME ASSEMBLY WITH SQUARE EDGES AND TWO FOLD DOWN CABLE EXIT FLAPS (145 x 145 x 5 mm TH)

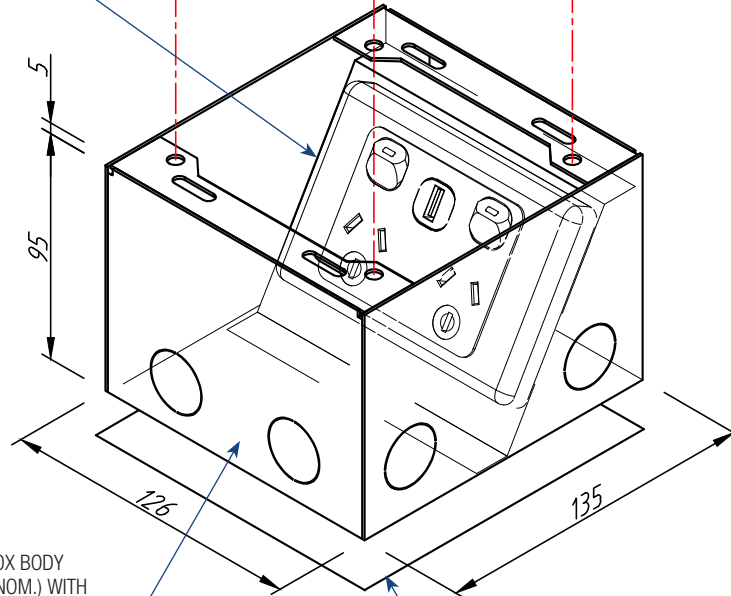


All dimensions quoted are nominal only. Drawings, images and text are for illustrative purposes only and product details and dimensions are subject to change without notice.

This product is not suitable for use in wet areas, is intended for use with fixed wiring only and must be installed by a licensed Electrical Mechanic in accordance with AS 3000, SAA Wiring Rules and A.C.M.A. requirements.

OUTLET MOUNTING BRACKET TO SUIT 1 No. STANDARD OUTLET PLATE (NOT SUPPLIED) (EG POWER/DATA/A.V. – INCLUDES THE USE OF POWER COMBINATION PLATES WITH USB, HDMI, ETC.)

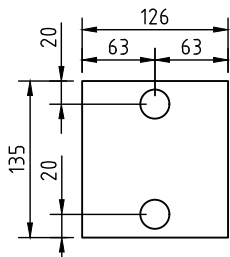
5  
95  
126  
135



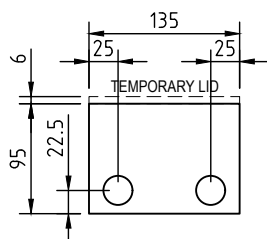
TEMPORARY LID TO FLOOR BOX BODY DURING CONSTRUCTION

POWDER COATED STEEL BOX BODY 126 x 135 x 95 mm DEEP (NOM.) WITH 10 No. 25 $\phi$  CONDUIT KNOCKOUTS (2 EACH SIDE & 2 ON BASE)  
NOTE: ONLY USE CONDUIT LOCATIONS THAT ALIGN WITH OUTLET COMPARTMENT

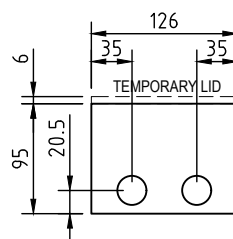
NOMINAL RECESS SIZE 138 x 129 x 105 DEEP FOR TIMBER FLOOR OR 155 x 155 x 115 FOAM BLOCKOUT FOR CONCRETE (PART No. FB140F)



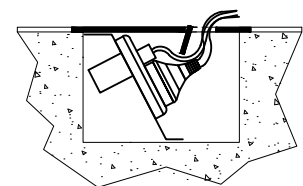
CONDUIT LOCATION BOX BASE



CONDUIT LOCATION LONG SIDES



CONDUIT LOCATION SHORT (HINGE & EXIT) SIDES



ASSEMBLED SIDE VIEW OF FB145SQ SINGLE COMPARTMENT FLOOR BOX SHOWING CABLE EXIT FLAP IN USE

NOTE: ONLY USE CONDUIT LOCATIONS THAT ALIGN WITH POWER COMPARTMENT