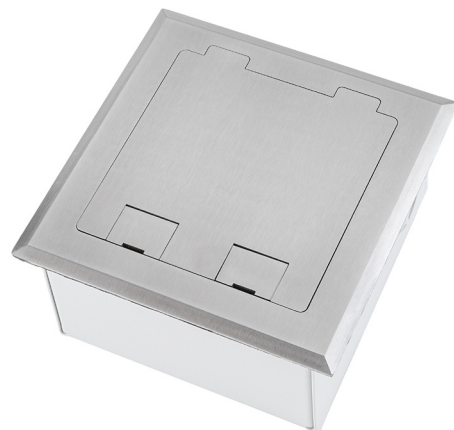


Stainless Steel Floor Box Shallow

AT A GLANCE...

- Capacity: 2 auto switch GPOs
- Box Size: 135 x 126 x 65 mm Deep
- Lid Material: Stainless Steel
- Suitable for: Compact installations

“Easy as ECD®”



- Compact and stylish, the FB143 Flush Floor Box provides ready access to power outlets recessed in the floor.
- Suitable for use in: Modern open plan living areas, home theatres, showrooms, shop-front displays, boardroom tables, schools, universities, and public buildings.
- Available in Stainless Steel, the hard wearing 145 x 145 mm lid bevels down to a fine edge under foot and is suitable for use with polished floor boards, carpet, ceramic tiles and vinyl floor coverings (not suitable for use in wet areas).
- The lid is also available with a 'non' bevelled edge – suitable for a flush finish with tiled, timber or other hard finish floors. Add 'SQ' to part number (FB143SQ).
- Capacity for 2 x single auto switch GPOs (other combinations available to order).
- Two small flaps allow cables out of the box when in use and close flat when not in use.
- A versatile, practical and decorative solution to your open plan cabling needs.
- Optional mounting plates for single Power & single Data combination available.
- This product has been examined in accordance with AS 3000 and conforms to A.C.M.A. requirements.



ESTABLISHED 1979

Electric Cable Duct Systems P/L

Phone: 1300 123 ECD (323)

Email: info@ecd.net.au

Fax: 1300 372 825

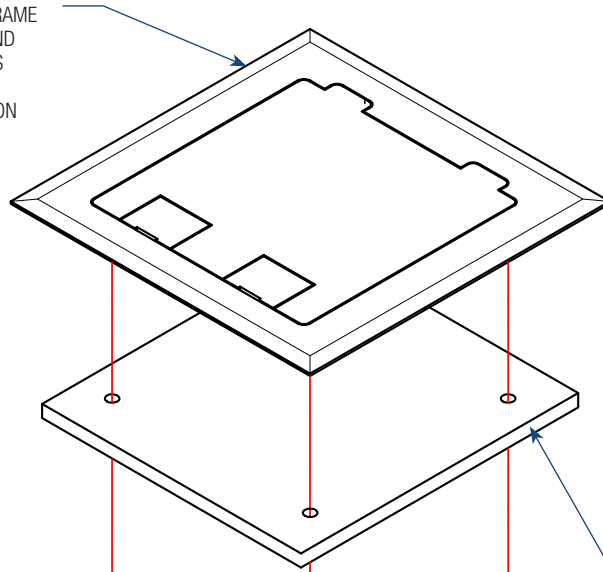
website: www.ecd.net.au

ABN 80005544105

ASSEMBLY DIAGRAM

STAINLESS STEEL FLOOR BOX – SHALLOW – FB143

FLUSH STAINLESS STEEL LID AND FRAME ASSEMBLY WITH BEVELLED EDGE AND TWO FOLD DOWN CABLE EXIT FLAPS (145 x 145 mm)
(NON BEVELLED FRAME AVAILABLE ON REQUEST. ADD 'SQ' TO PART No.)

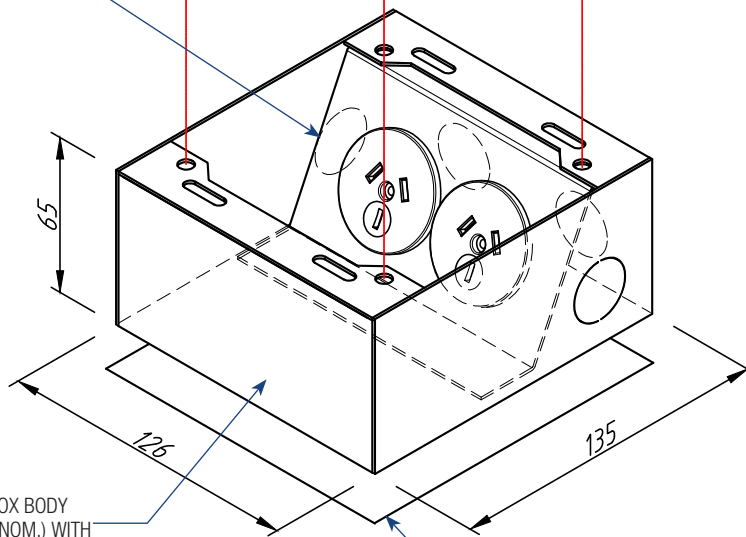


All dimensions quoted are nominal only. Drawings, images and text are for illustrative purposes only and product details and dimensions are subject to change without notice.

This product is not suitable for use in wet areas, is intended for use with fixed wiring only and must be installed by a licensed Electrical Mechanic in accordance with AS 3000, SAA Wiring Rules and A.C.M.A. requirements.

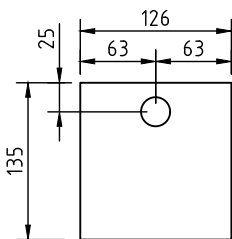
OUTLET MOUNTING BRACKET TO SUIT 2 No. AUTO SWITCH GPOs (SUPPLIED)

TEMPORARY LID TO FLOOR BOX BODY DURING CONSTRUCTION

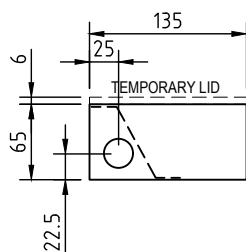


POWDER COATED STEEL BOX BODY 126 x 135 x 65 mm DEEP (NOM.) WITH 5 No. 25ø CONDUIT KNOCKOUTS (2 TO BACK, 1 TO EACH SIDE & 1 ON BASE)

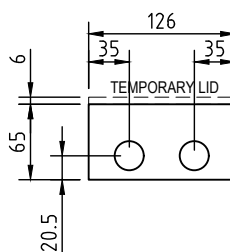
NOMINAL RECESS SIZE 138 x 129 x 70 DEEP FOR TIMBER FLOOR OR 155 x 155 x 75 FOAM BLOCKOUT FOR CONCRETE (PART No. FB143F)



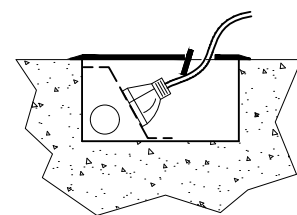
CONDUIT LOCATION BOX BASE



CONDUIT LOCATION LONG SIDES



CONDUIT LOCATION SHORT (HINGE) SIDE



ASSEMBLED SIDE VIEW OF FB143 SINGLE COMPARTMENT FLOOR BOX SHOWING CABLE EXIT FLAP IN USE