

## Soft Wired Power Modules

### AT A GLANCE...

- Suitable for: Soft wired power
- Capacity: 2 or 4 gang auto switch GPOs – 10 Amp
- Colours: Black & White

**“Easy as ECD®”**

- 2 or 4 gang Power Modules.
- Auto switched socket outlets – 10 Amp.
- Compatible with the ECD Soft Wiring System.
- Standard colours are Black & White.
- Rotated earth for outer sockets can assist with mounting of larger power pack transformers.
- Removeable face plate with concealed screw fixing provision for surface mounting of GPO base.
- Suits industry standard cutouts with material thicknesses from 1.0 up to 1.6mm thick.
- Test Plugs (ECDSWTP) are available for testing soft wired circuits.
- Compatible with ECD Soft Wired Mounting Accessories.
- Products comply with AS/NZS61535:2011, AS/NZS3100:2022 & AS/NZS3112:2017 – refer approval no. GMA-515331-EA.

**ECDPM2WE**



**ECDPM2BK**

**ECDPM4WE**



**ECDPM4BK**



ESTABLISHED 1979

**Electric Cable Duct Systems P/L**

Phone: 1300 123 ECD (323)

Email: [info@ecd.net.au](mailto:info@ecd.net.au)

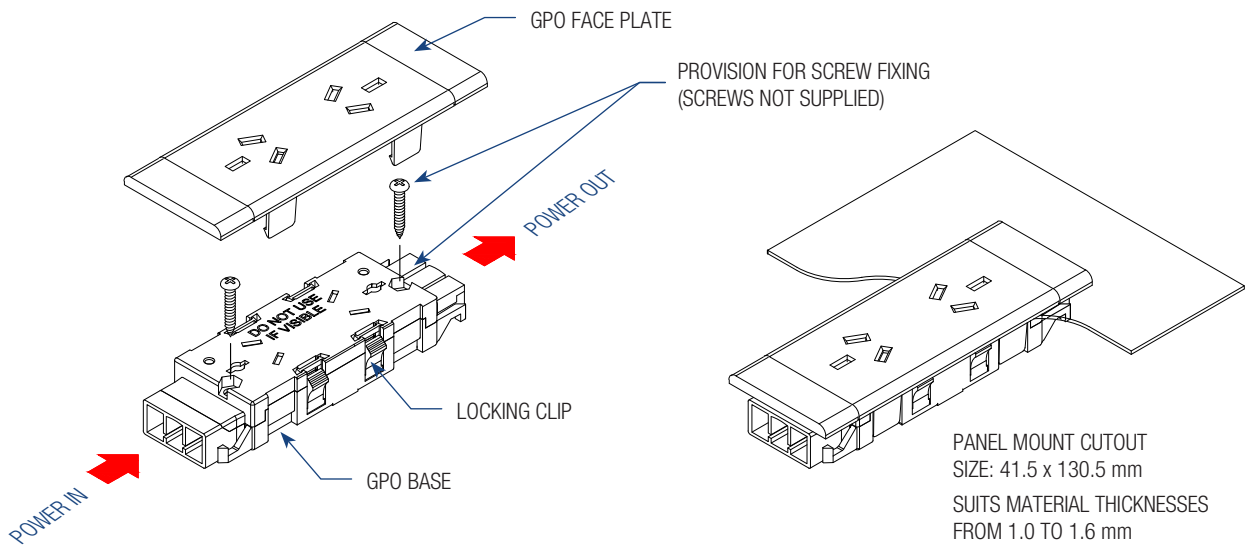
Fax: 1300 372 825

website: [www.ecd.net.au](http://www.ecd.net.au)

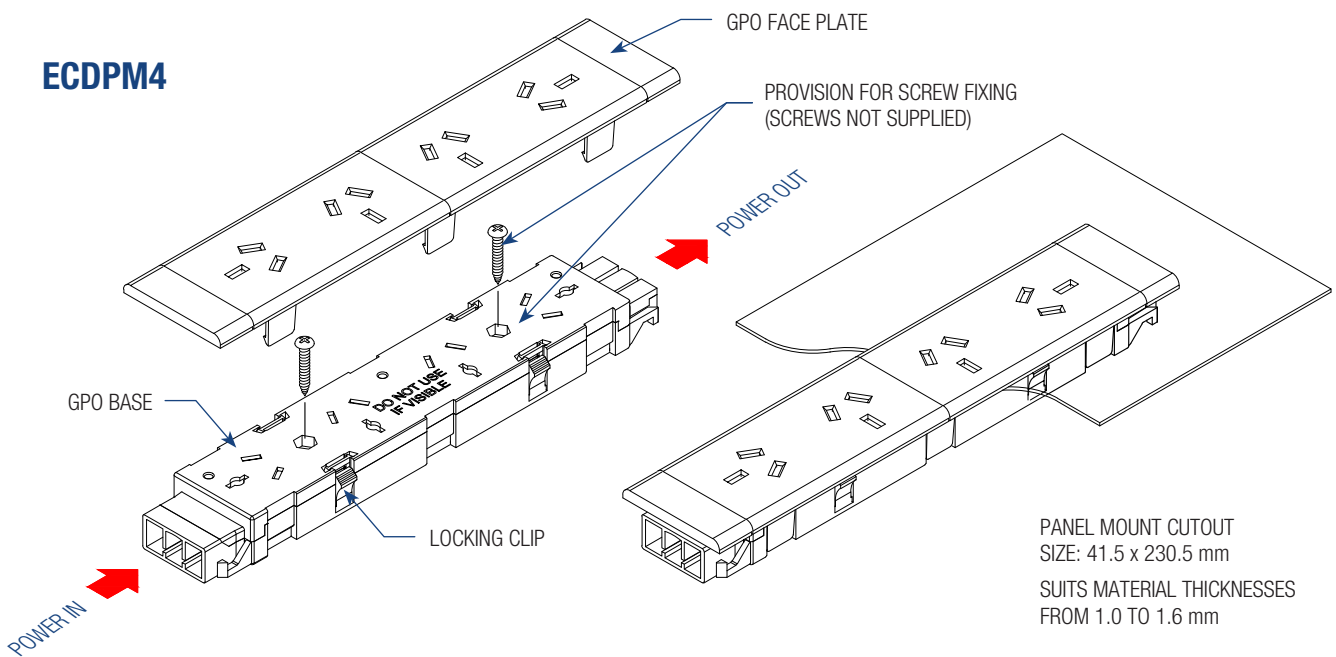
ABN 80005544105

## ASSEMBLY DIAGRAM POWER MODULES

### ECDPM2



### ECDPM4



### PARTS LIST

DESCRIPTION	PART NO.	COLOUR
ECD Soft wired Power Module, 2 gang 10 Amp GPO – auto switched	ECDPM2P	Nominate (see below)
ECD Soft wired Power Module, 4 gang 10 Amp GPO – auto switched	ECDPM4P	Nominate (see below)

Nominate Colour/Finish: BK=Black, WE=White

Note: All ECD soft wiring must be installed by a licenced electrical contractor as per AS/NZ3000 Wiring Regulations