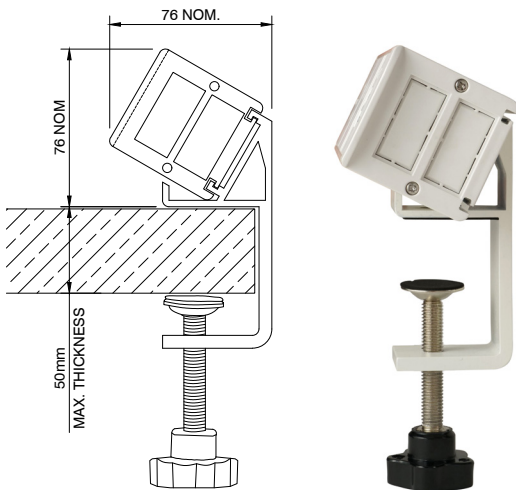


LINK SERIES Above & Below Desk Power Rail

AT A GLANCE...

- Capacity: 2 x GPO & USB A/C fast charger – 65W shared
- Size: 55 x 55 x 170 mm
- Colour: White
- Compatible with ECD Soft Wiring System

“Easy as ECD®”



- Stylish and refined, this above & below desk rail for power and USB clamps directly onto the desk.
- Capacity 2 x GPO and USB A/C fast charger module (65W shared).
- Supplied with 1000 mm in/out soft wiring connector lead with tee coupler.
- Optional power feed available – soft wired connector to 3-pin plug (ECDCL1800TOL)
- Fixing clamp supplied – maximum desktop thickness 50 mm.
- Can be mounted below the desk, suitable mounting brackets available on request, use code DTLB.
- Solid extruded aluminium body and clamp, standard colour white.
- Size 55 x 55 x 170 mm.
- Compatible with ECD Soft Wiring System.
- Other configurations available to order.



ESTABLISHED 1979

Electric Cable Duct Systems P/L

Phone: 1300 123 ECD (323)

Email: info@ecd.net.au

Fax: 1300 372 825

website: www.ecd.net.au

ABN 80005544105