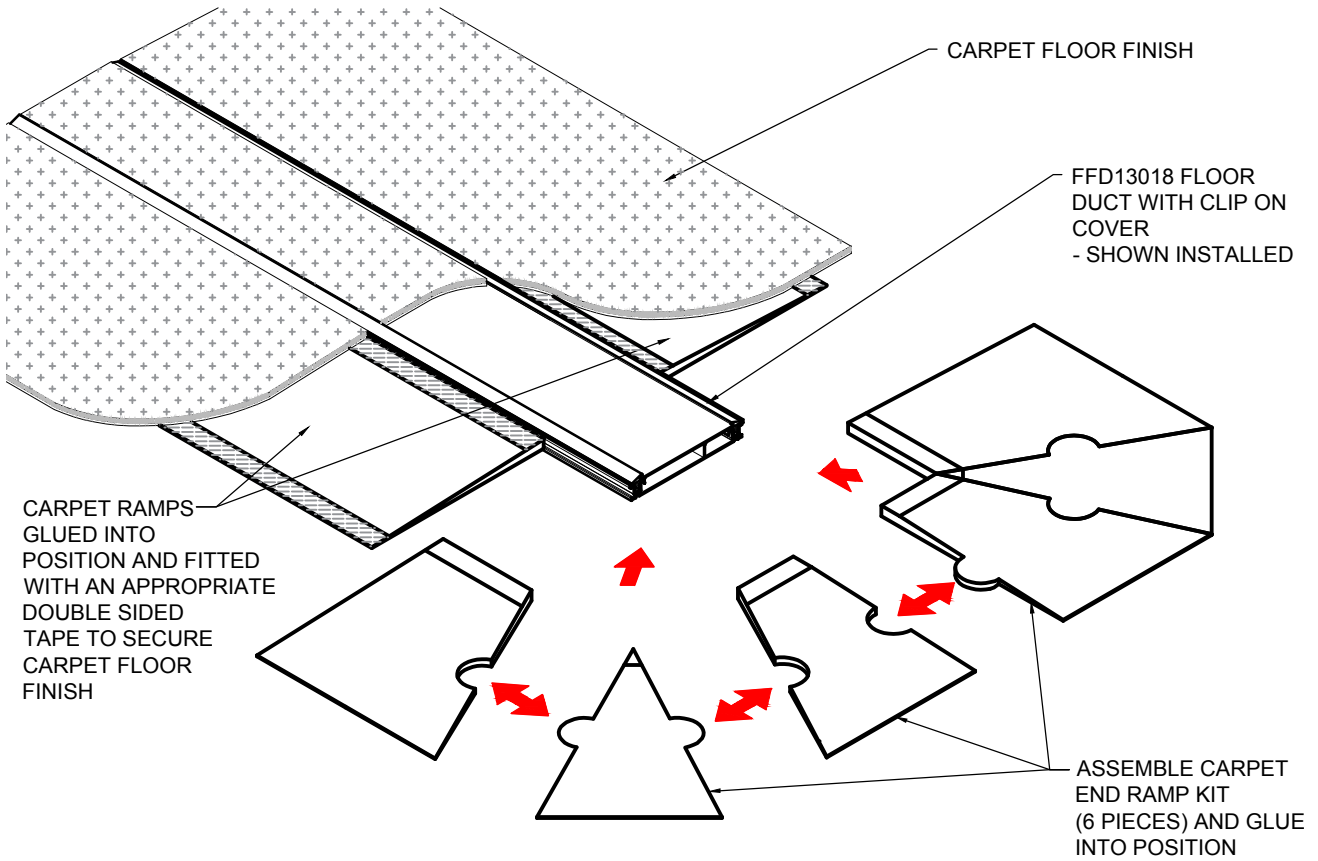
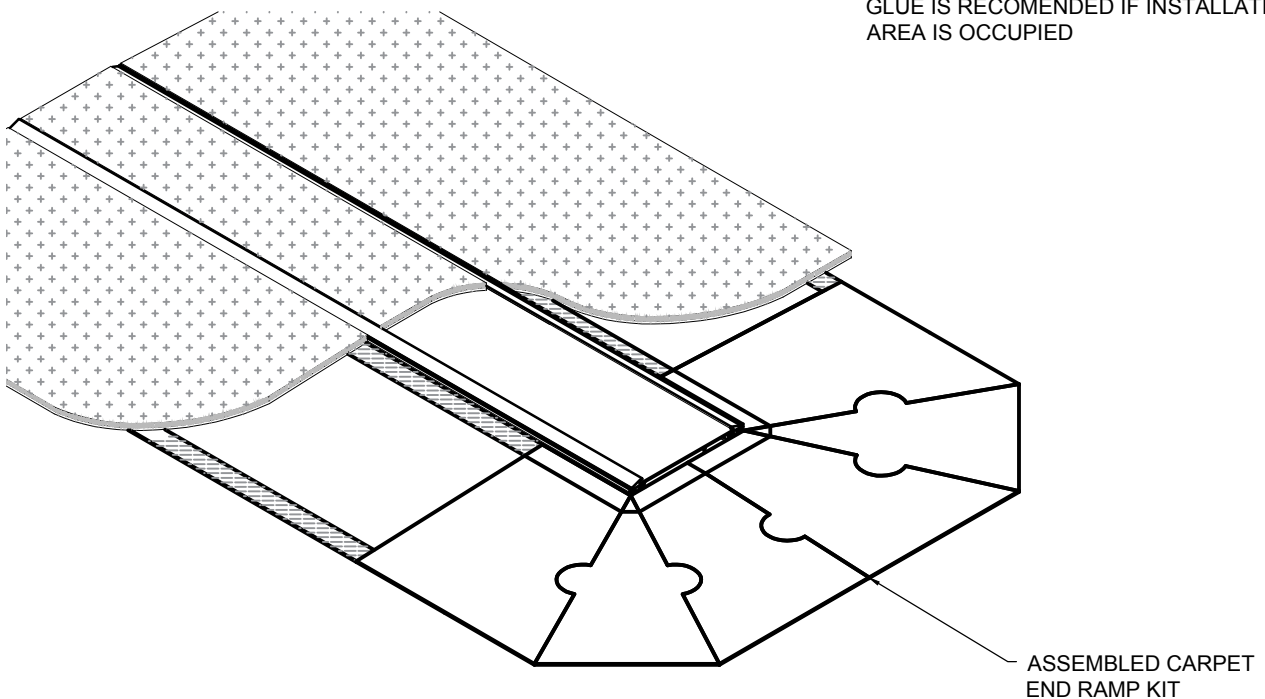


# AFD13018CRE FIT OFF GUIDE



NOTE: THE USE OF A 'NIL ODOUR' TYPE GLUE IS RECOMMENDED IF INSTALLATION AREA IS OCCUPIED



ESTABLISHED 1979

**Electric Cable Duct Systems Pty. Ltd.**

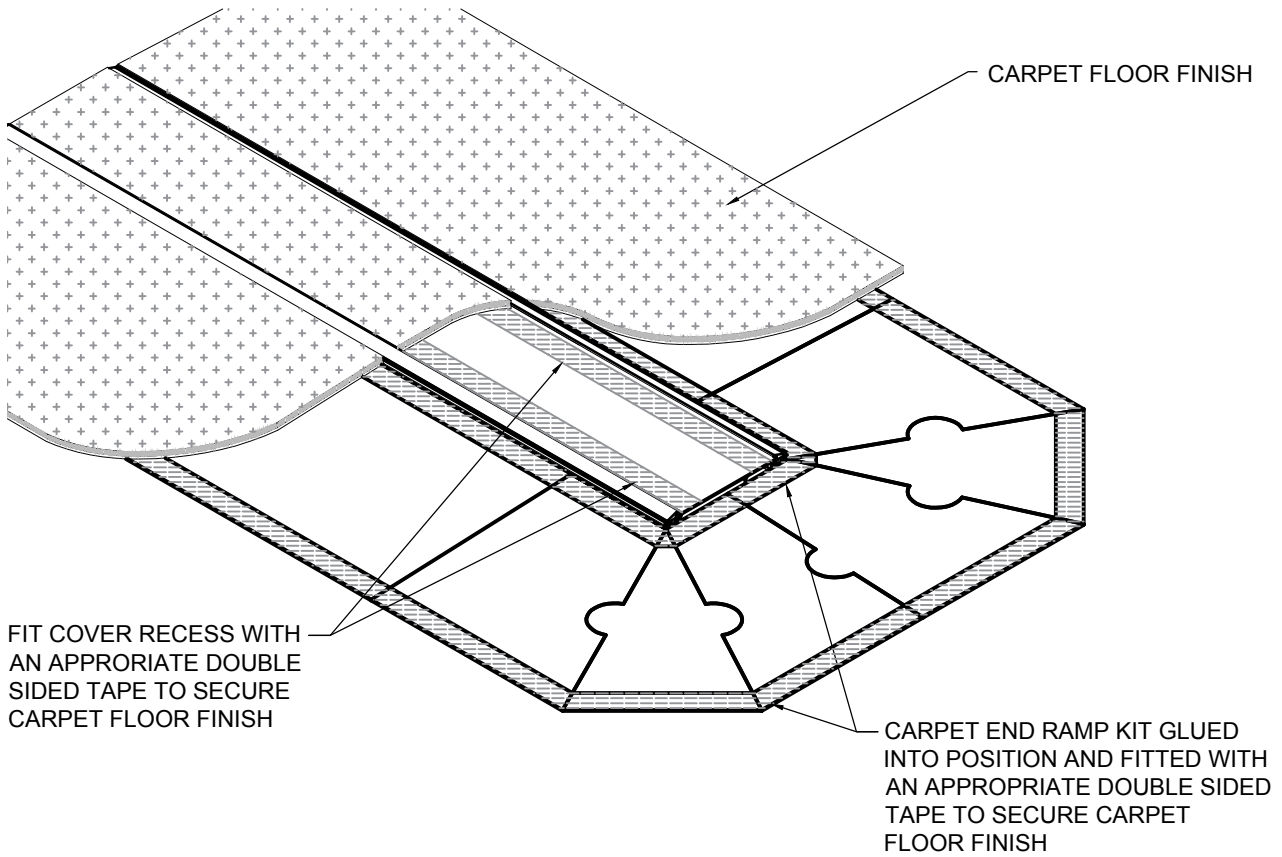
Ph: 1300 123 ECD (323) Fax: (03) 9899 5042

Email: [info@ecd.net.au](mailto:info@ecd.net.au)

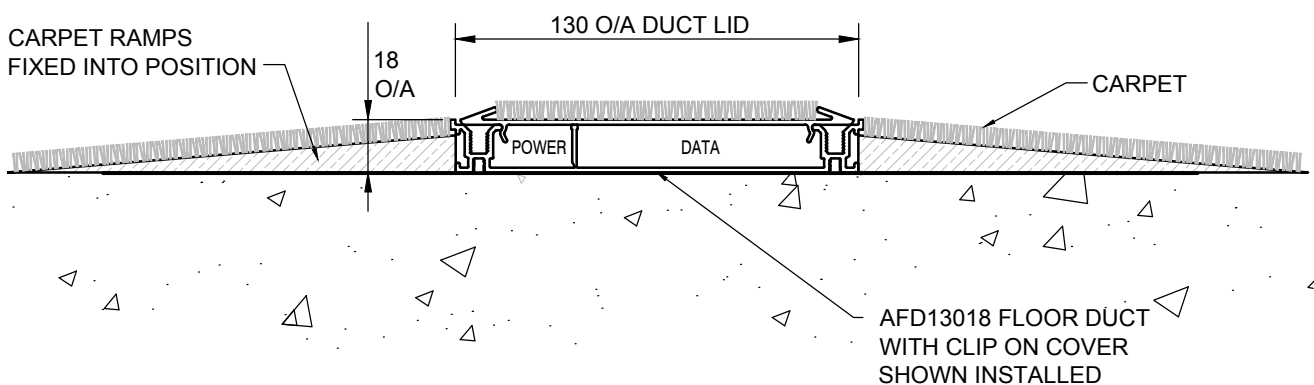
[www.ecd.net.au](http://www.ecd.net.au)

ABN 80005544105

# AFD13018CRE FIT OFF GUIDE



## SECTION VIEW - DUCT AND CARPET RAMPS



**Electric Cable Duct Systems Pty. Ltd.**

Ph: 1300 123 ECD (323) Fax: (03) 9899 5042

Email: [info@ecd.net.au](mailto:info@ecd.net.au)

[www.ecd.net.au](http://www.ecd.net.au)

ABN 80005544105