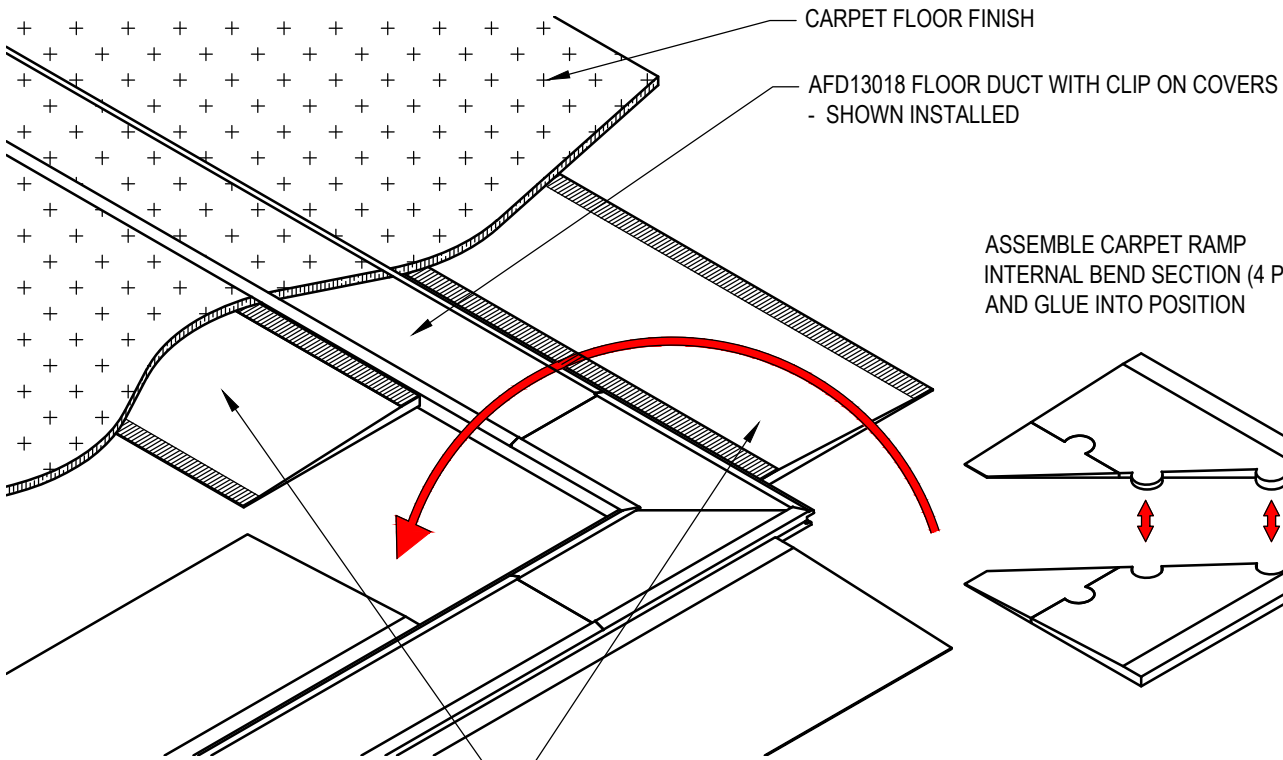
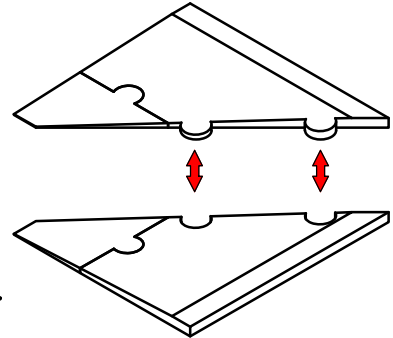


# AFD13018CRB FIT OFF GUIDE

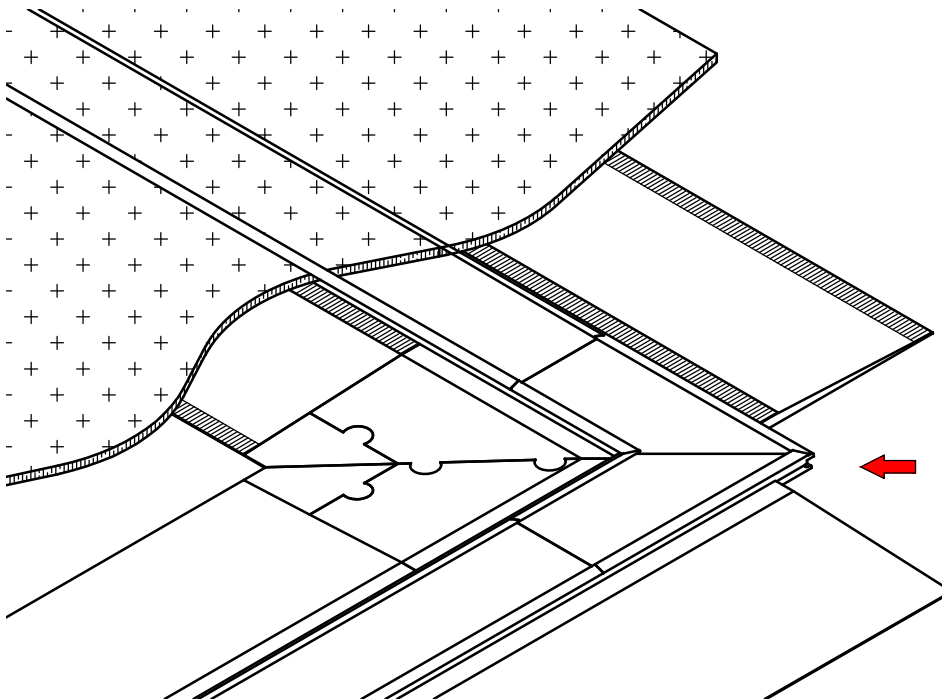


ASSEMBLE CARPET RAMP  
INTERNAL BEND SECTION (4 PIECES)  
AND GLUE INTO POSITION

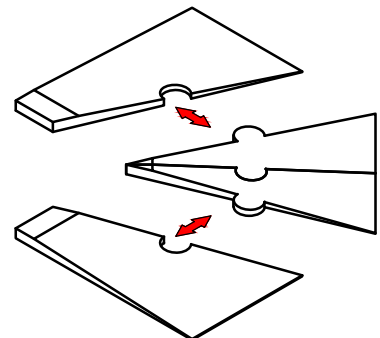


CARPET RAMPS GLUED INTO  
POSITION AND FITTED WITH AN  
APPROPRIATE DOUBLE SIDED TAPE  
TO SECURE CARPET FLOOR FINISH

NOTE: THE USE OF A 'NIL ODOR' TYPE  
GLUE IS RECOMMENDED IF  
INSTALLATION AREA IS OCCUPIED



ASSEMBLE CARPET RAMP  
EXTERNAL BEND SECTION (4 PIECES)  
AND GLUE INTO POSITION



**Electric Cable Duct Systems Pty. Ltd.**

Ph: 1300 123 ECD (323) Fax: (03) 9899 5042

Email: [info@ecd.net.au](mailto:info@ecd.net.au)

[www.ecd.net.au](http://www.ecd.net.au)

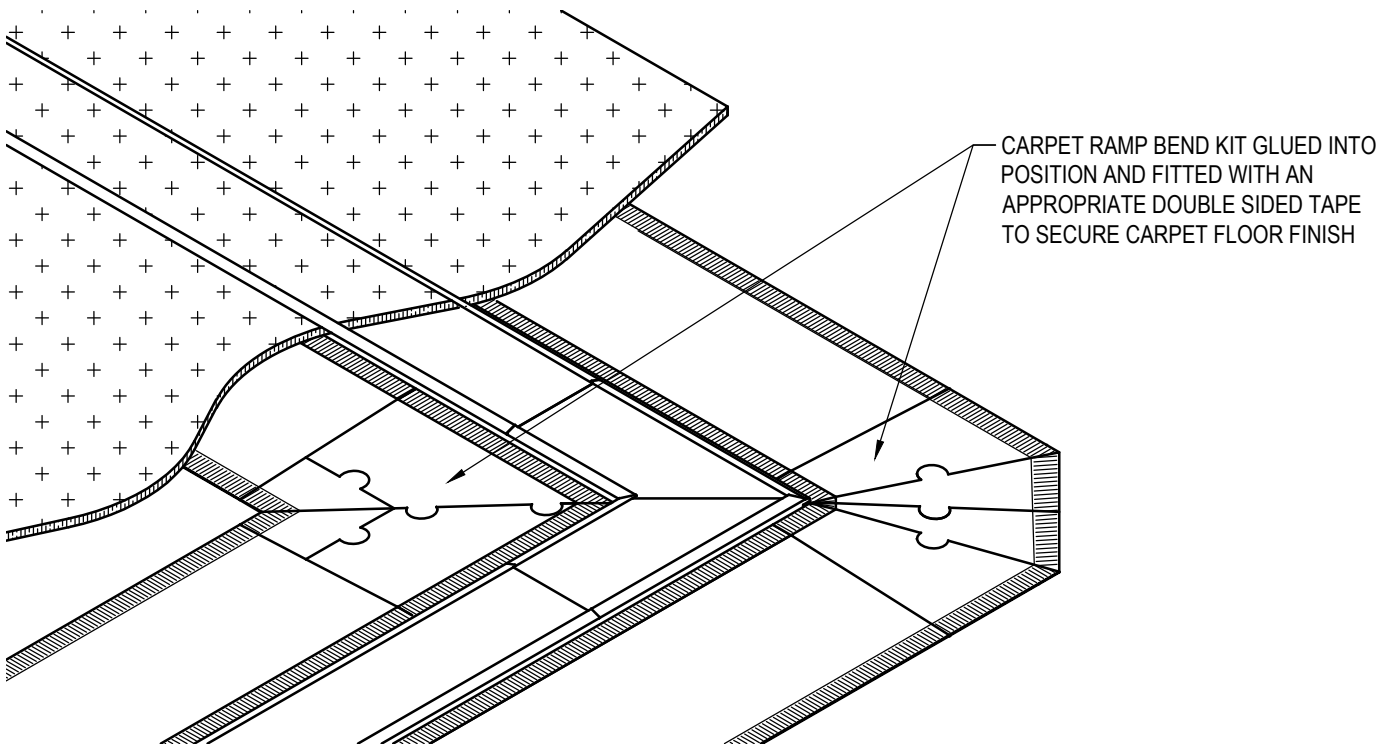
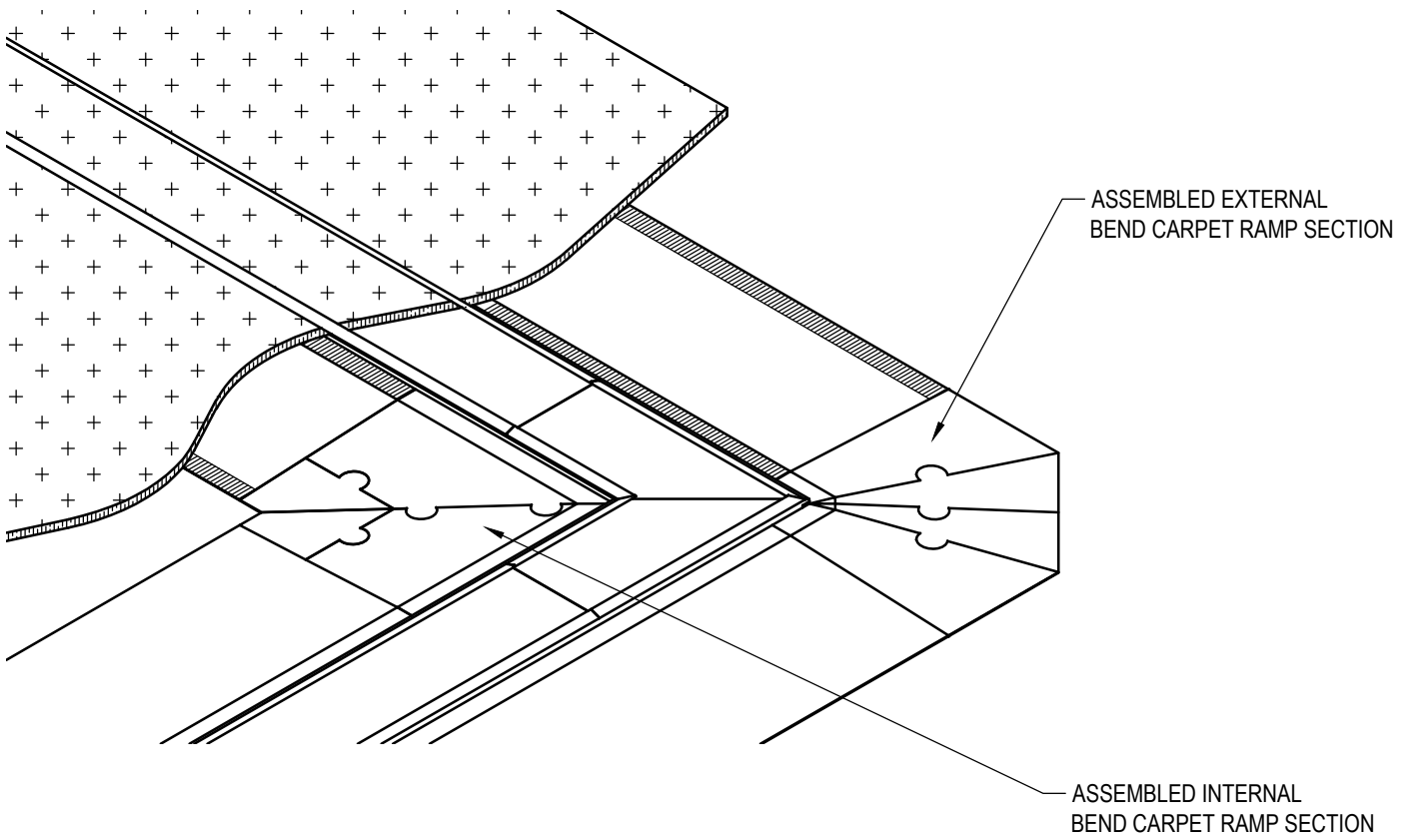
ABN 80005544105

ECD

ECD

ECD

ECD



ECD

ECD

ECD

ECD

ECD

ECD