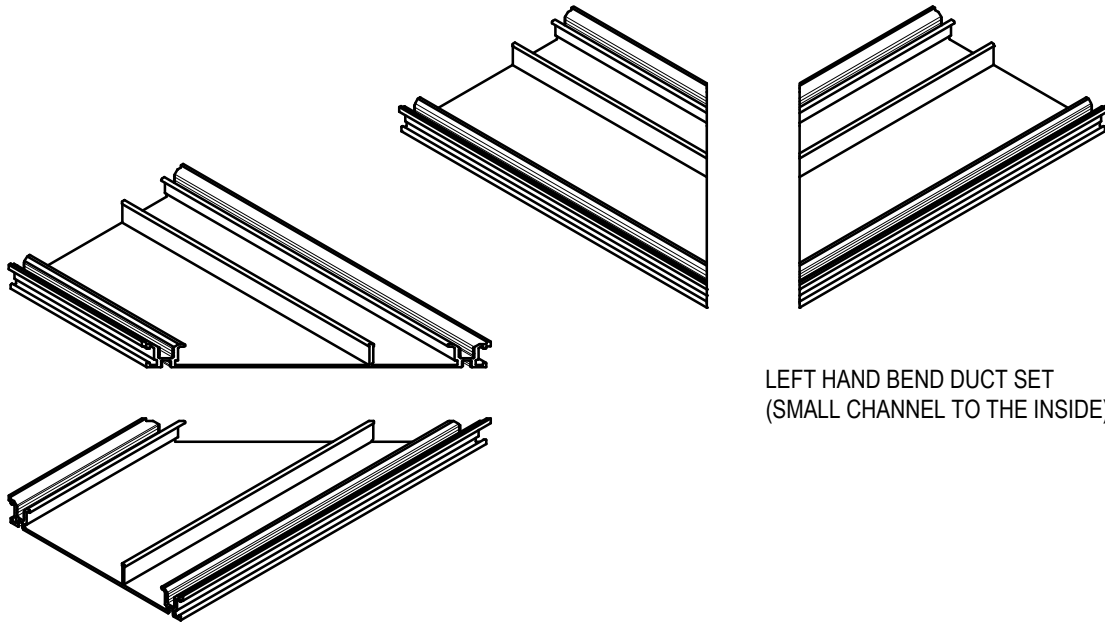


# AFD13018B FIT OFF GUIDE

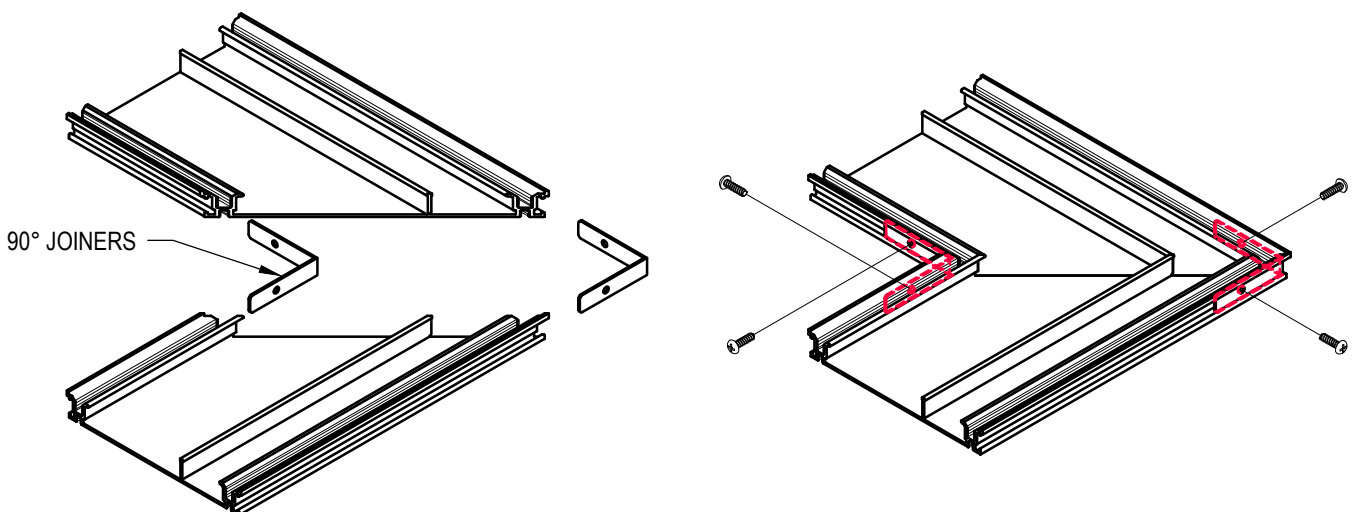
SELECT LEFT OR RIGHT HAND BEND DUCT SET TO SUIT SPECIFIC SITE REQUIREMENTS



LEFT HAND BEND DUCT SET  
(SMALL CHANNEL TO THE INSIDE)

RIGHT HAND BEND DUCT SET  
(SMALL CHANNEL TO THE OUTSIDE)

ASSEMBLE BEND DUCTS BY INSERTING 90° JOINERS & SECURING WITH SCREWS PROVIDED



**Electric Cable Duct Systems Pty. Ltd.**

Ph: 1300 123 ECD (323) Fax: (03) 9899 5042

Email: [info@ecd.net.au](mailto:info@ecd.net.au)

[www.ecd.net.au](http://www.ecd.net.au)

ABN 80005544105

Skirting, Floor & Wall Duct | Floor & Desk Boxes | Service Posts | Umbilicals | Soft Wiring

ECD

ECD

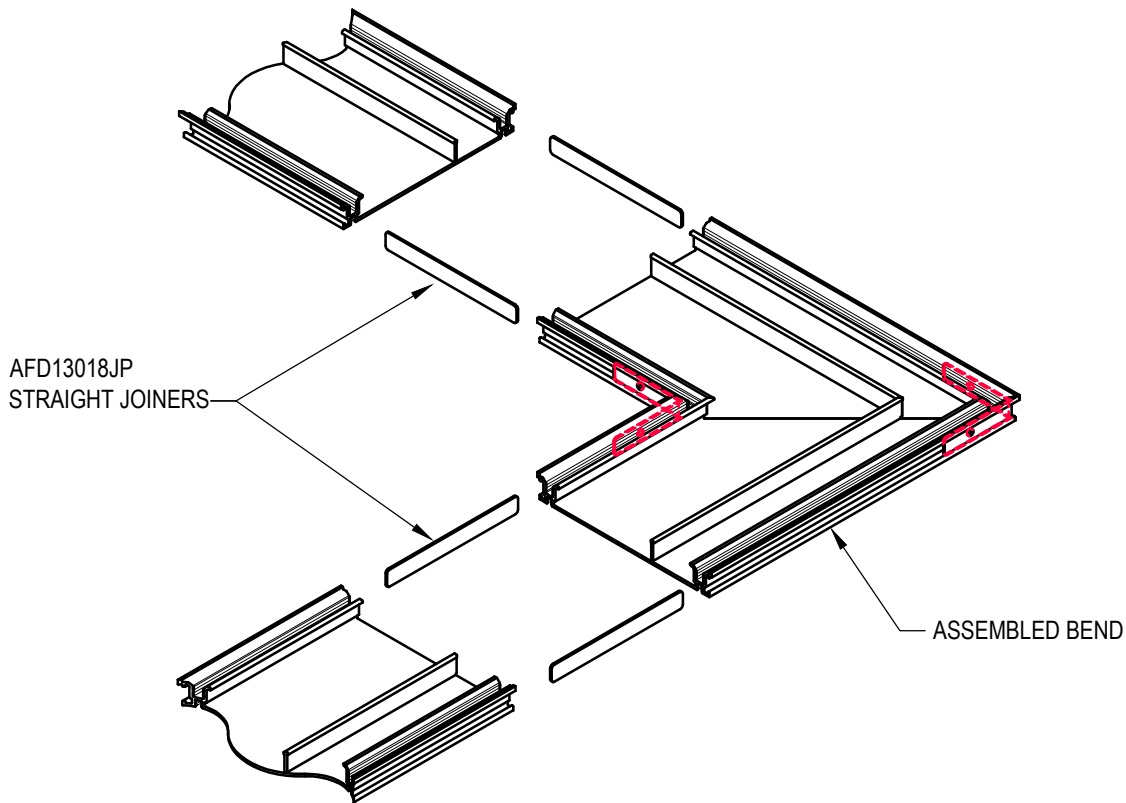
ECD

ECD

ECD

ECD

USE AFD13018JP JOINERS PROVIDED TO FIT ASSEMBLED BEND TO STRAIGHT DUCTS & SECURE USING A METHOD TO SUIT SITE REQUIREMENTS



AFTER DUCT IS CABLED, FIT UNIVERSAL CLIP ON COVER SET

