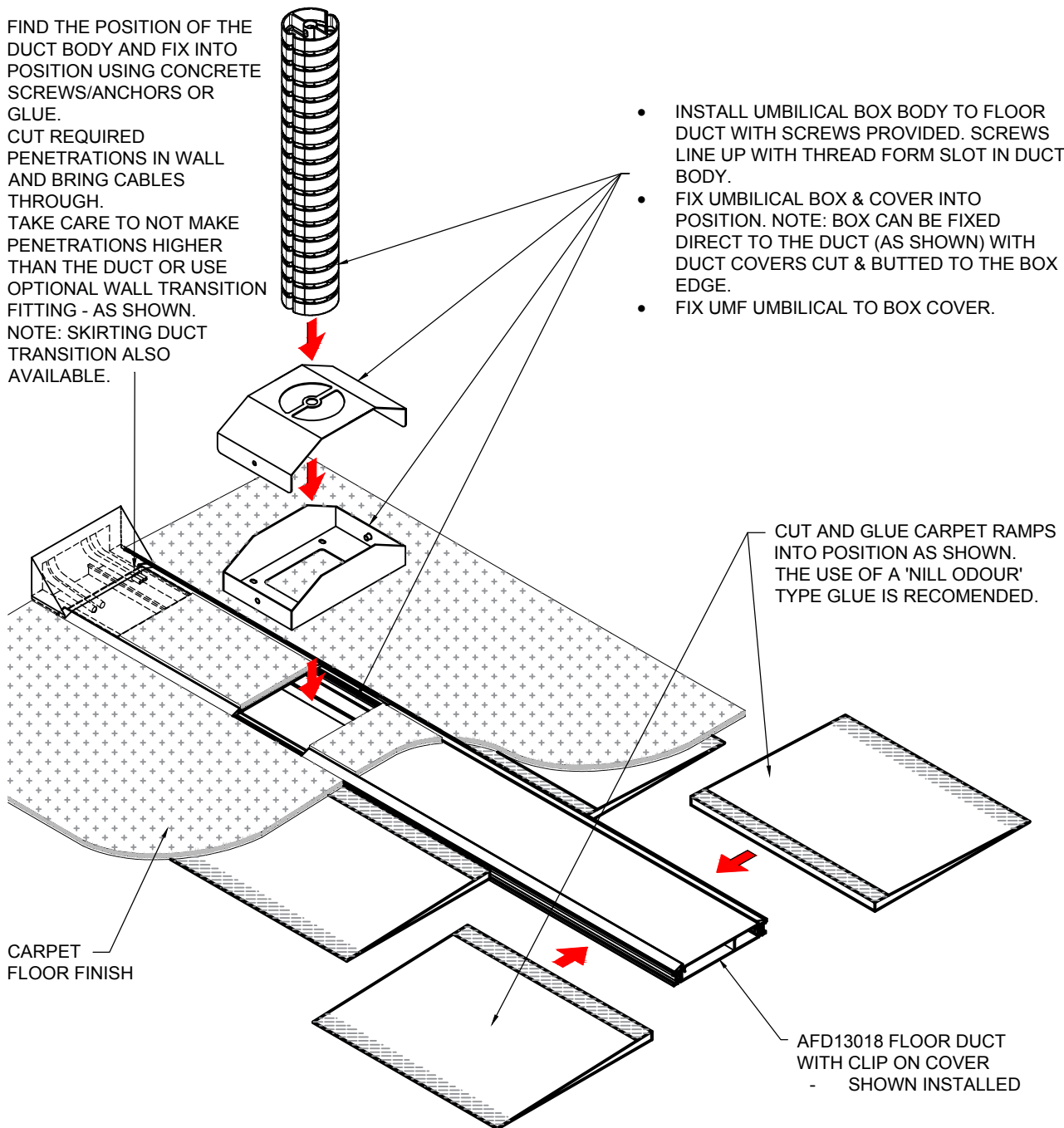


FIND THE POSITION OF THE DUCT BODY AND FIX INTO POSITION USING CONCRETE SCREWS/ANCHORS OR GLUE.
 CUT REQUIRED PENETRATIONS IN WALL AND BRING CABLES THROUGH.
 TAKE CARE TO NOT MAKE PENETRATIONS HIGHER THAN THE DUCT OR USE OPTIONAL WALL TRANSITION FITTING - AS SHOWN.
 NOTE: SKIRTING DUCT TRANSITION ALSO AVAILABLE.

- INSTALL UMBILICAL BOX BODY TO FLOOR DUCT WITH SCREWS PROVIDED. SCREWS LINE UP WITH THREAD FORM SLOT IN DUCT BODY.
- FIX UMBILICAL BOX & COVER INTO POSITION. NOTE: BOX CAN BE FIXED DIRECT TO THE DUCT (AS SHOWN) WITH DUCT COVERS CUT & BUTTED TO THE BOX EDGE.
- FIX UMF UMBILICAL TO BOX COVER.



Electric Cable Duct Systems Pty. Ltd.

Ph: 1300 123 ECD (323) Fax: (03) 9899 5042

Email: info@ecd.net.au

www.ecd.net.au

ABN 80005544105

AFD13018 FIT OFF GUIDE

ECD

ECD

ECD

ECD

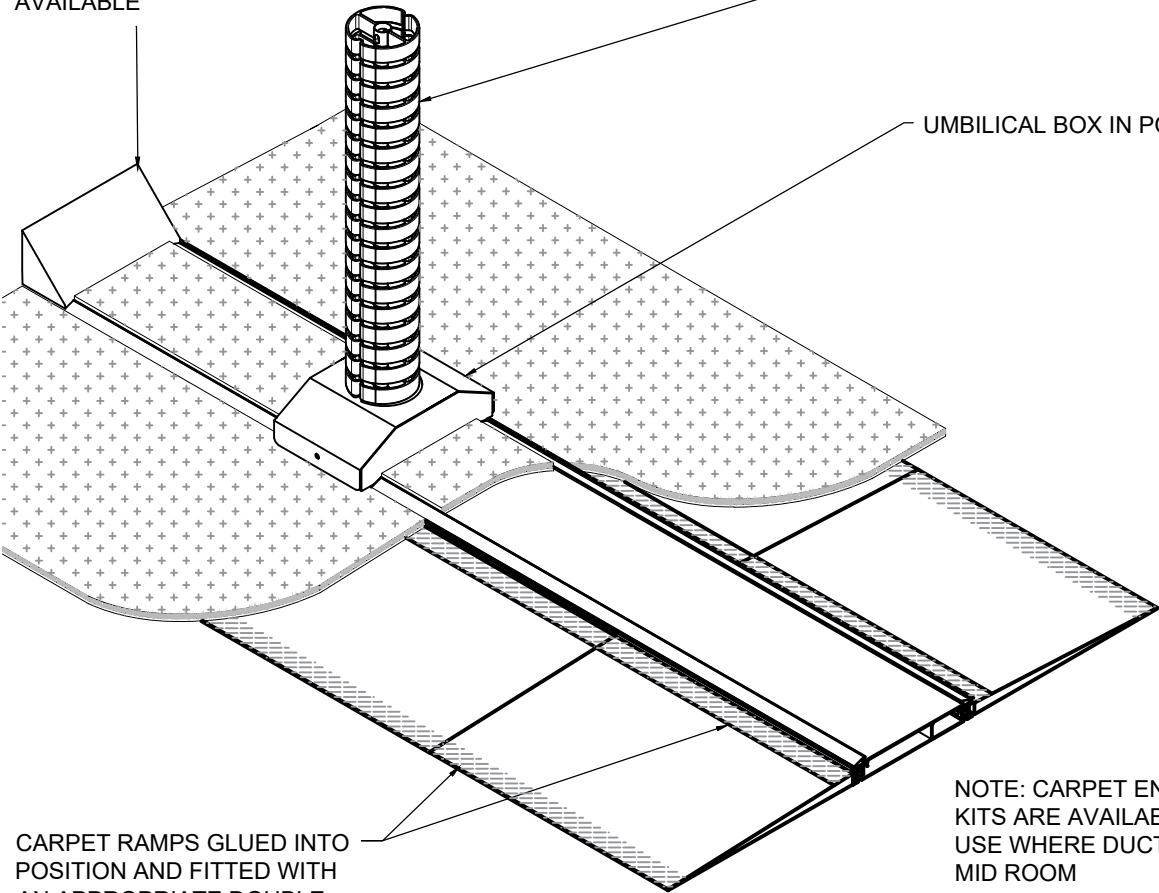
ECD

ECD

WALL TRANSITION FITTING
NOTE: SKIRTING DUCT
TRANSITION ALSO
AVAILABLE

UMF UMBILICAL SHOWN
FITTED TO BOX COVER

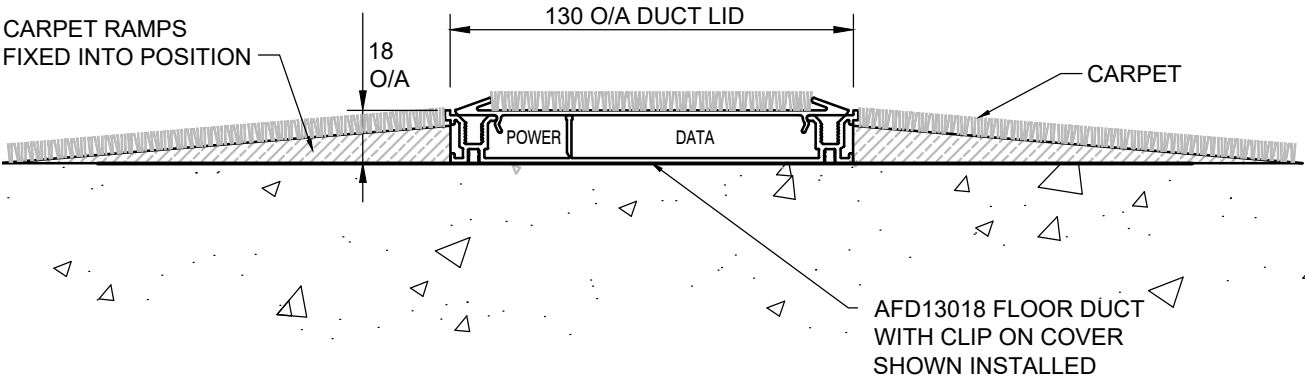
UMBILICAL BOX IN POSITION



CARPET RAMPS GLUED INTO
POSITION AND FITTED WITH
AN APPROPRIATE DOUBLE
SIDED TAPE TO SECURE
CARPET FLOOR FINISH

NOTE: CARPET END RAMP
KITS ARE AVAILABLE FOR
USE WHERE DUCT FINISHES
MID ROOM

SECTION VIEW - DUCT AND CARPET RAMPS



Electric Cable Duct Systems Pty. Ltd.

Ph: 1300 123 ECD (323) Fax: (03) 9899 5042

Email: info@ecd.net.au

www.ecd.net.au

ABN 80005544105