

Above Floor Box Six Outlets

AT A GLANCE...

- Size: 110 x 140 x 370 mm
- Capacity: 6 standard size plates
- Stock Colours: Black, White and APO Grey, Natural Anodised and Stainless Steel

“Easy as ECD®”

- Capacity for 6 standard outlet plates (3 x double power & 3 x Data and/or A.V.).
- Strong powder coated steel construction.
- Maximum power and voice/data plates within a small box.
- Suitable for Category 6A data cabling.
- Multiple box combinations to any size module can be made to order.
- Suitable for mounting on both floor and bench applications.
- Suitable for mounting on ECD floor ducts. Refer to assembly diagram for corresponding models.
- Powder coat finish. Standard colours are Black, White and APO Grey.
- Also available in Natural Anodised and Stainless Steel – 304 No. 4 Linished finish.
- This product has been examined in accordance with AS 3000 and conforms to A.C.A requirements.

REAR VIEW



FRONT VIEW



ESTABLISHED 1979

Electric Cable Duct Systems P/L

Phone: 1300 123 ECD (323)

Email: info@ecd.net.au

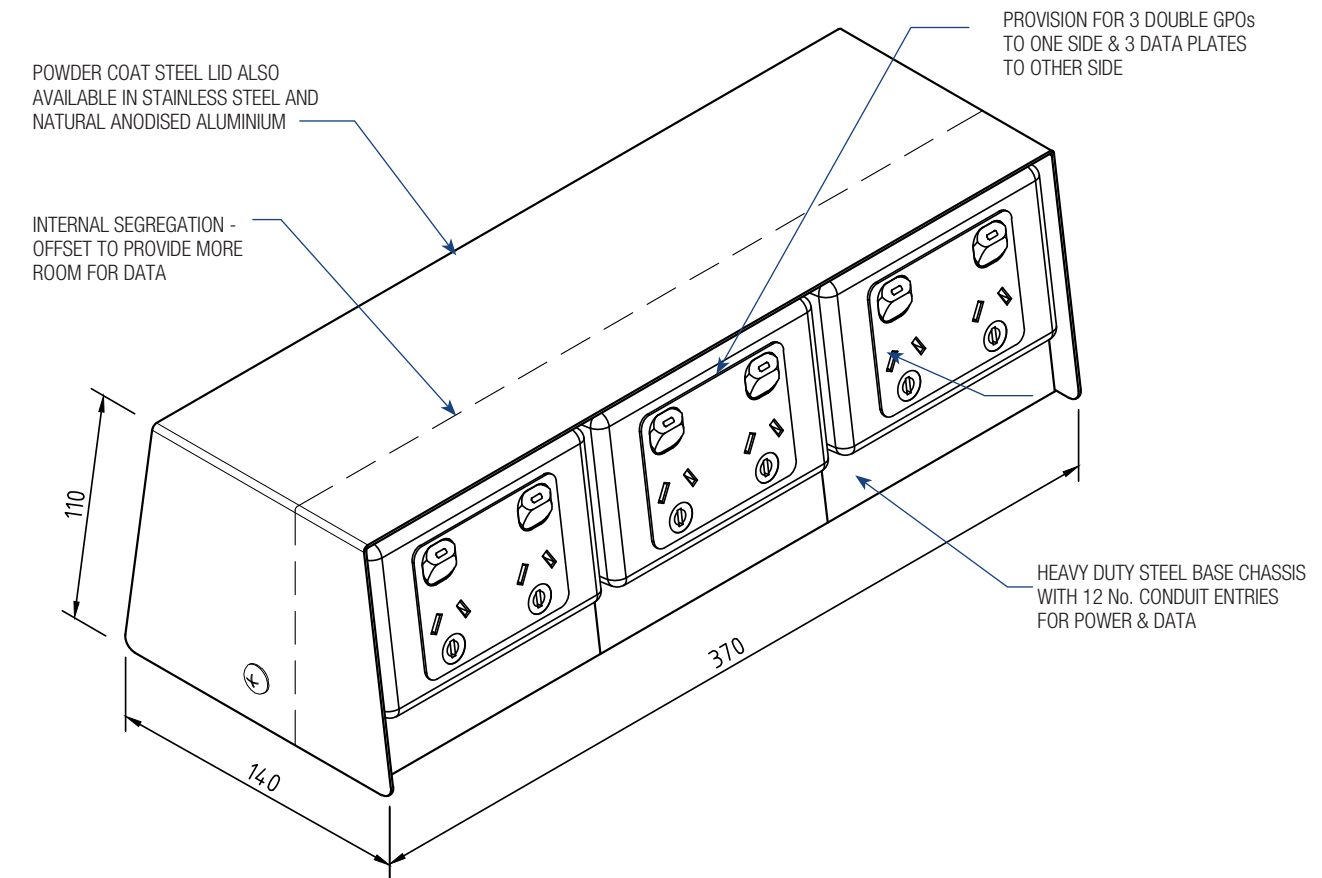
Fax: 1300 372 825

website: www.ecd.net.au

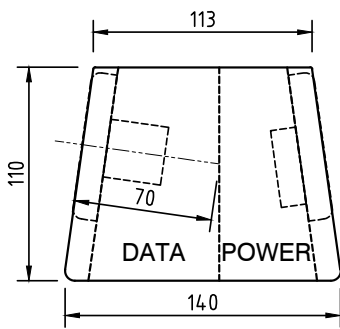
ABN 80005544105

ASSEMBLY DIAGRAM

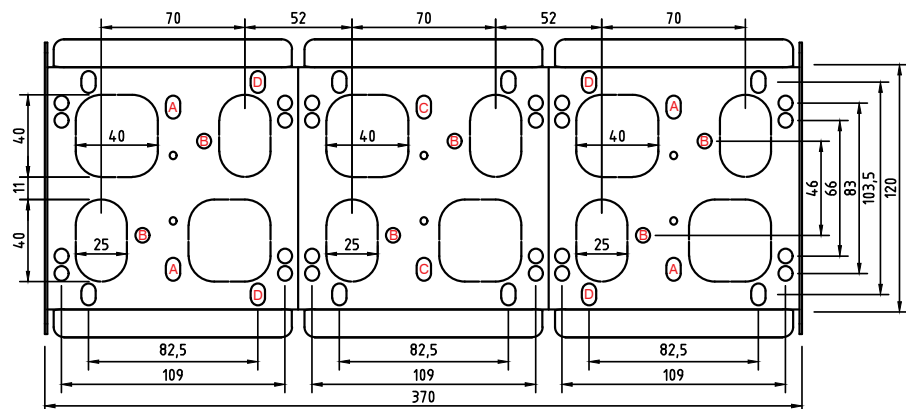
ABOVE FLOOR BOX – SIX OUTLETS – AFB20/3



SECTION



FLOOR BOX BASE DETAIL



MOUNTING HOLE DETAILS PER DUCT TYPE

HOLES	DUCT	ORIENTATION	METHOD	PART NO.
A	FFD10012FR	Outlets parallel to duct	Direct screw to duct	FFD10012AP20
A	FFD10012DCR	Outlets parallel to duct	Direct screw to duct	FFD10012AP20
A	FFD10012SR	Outlets parallel to duct	Via mounting plate	FFD10012AP20/3SR
A	FFD10012SM	Outlets parallel to duct	Via mounting plate	FFD10012AP20/3SM
A + C	AFD13018	Outlets parallel to duct	Via mounting plate	AFD13018K/3
B	FFD13018	Outlets parallel to duct	Via mounting plate	FFD13018AP20/3
B	FFD15035	Outlets parallel to duct	Via mounting plate	FFD15035AP20/2
D	AFD35	Outlets parallel to duct	Via mounting plate	AFD35K20/2/3

Contact ECD for suitability with other floor duct models.