

## Above Floor Box Four Outlets

### AT A GLANCE...

- Size: 110 x 140 x 250 mm
- Capacity: 4 standard size plates
- Stock Colours: Black, White and APO Grey, Natural Anodised and Stainless Steel

**“Easy as ECD®”**

- Capacity for 4 standard outlet plates (2 x double power & 2 x Data and/or A.V.).
- Strong powder coated steel construction.
- Maximum power and voice/data plates within a small box.
- Suitable for Category 6A data cabling.
- Multiple box combinations to any size module can be made to order.
- Suitable for mounting on both floor and bench applications.
- Suitable for mounting on ECD floor ducts. Refer to assembly diagram for corresponding models.
- Powder coat finish. Standard colours are Black, White and APO Grey.
- Also available in Natural Anodised and Stainless Steel – 304 No. 4 Linished finish.
- This product has been examined in accordance with AS 3000 and conforms to A.C.A requirements.



REAR VIEW



FRONT VIEW



ESTABLISHED 1979

**Electric Cable Duct Systems P/L**

Phone: 1300 123 ECD (323)

Email: [info@ecd.net.au](mailto:info@ecd.net.au)

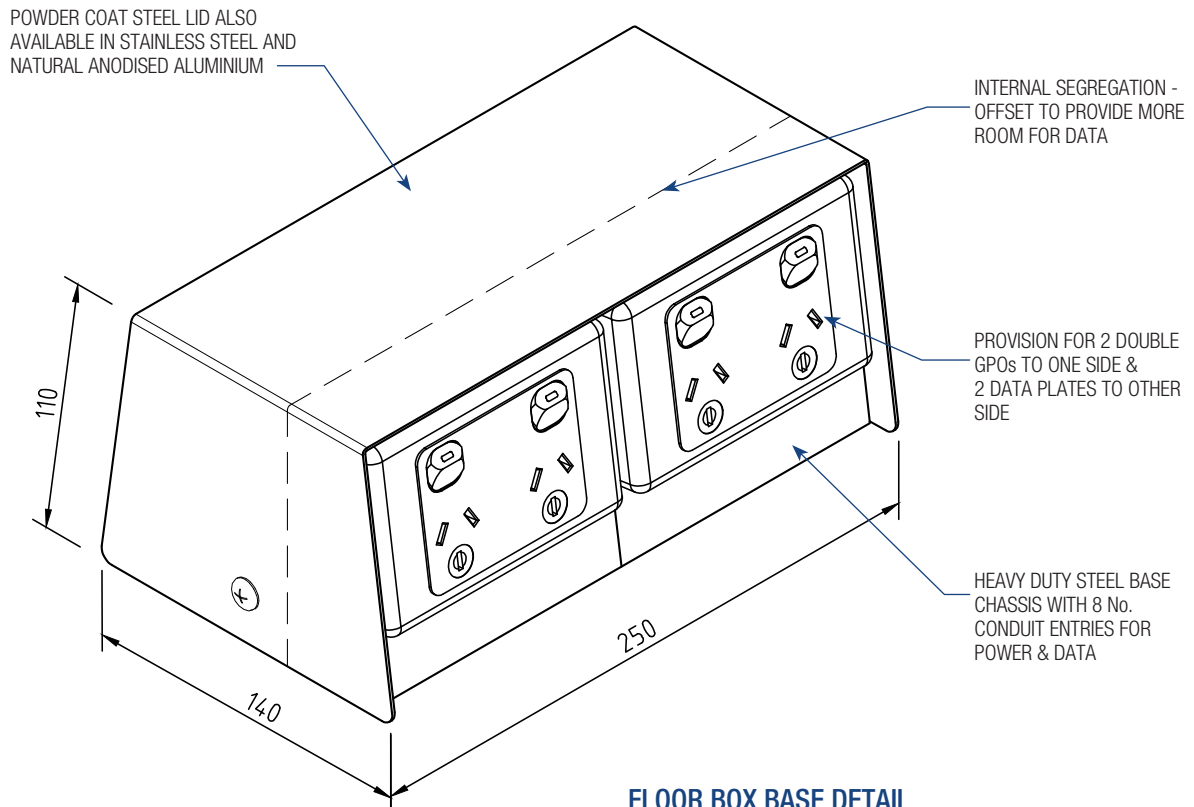
Fax: 1300 372 825

website: [www.ecd.net.au](http://www.ecd.net.au)

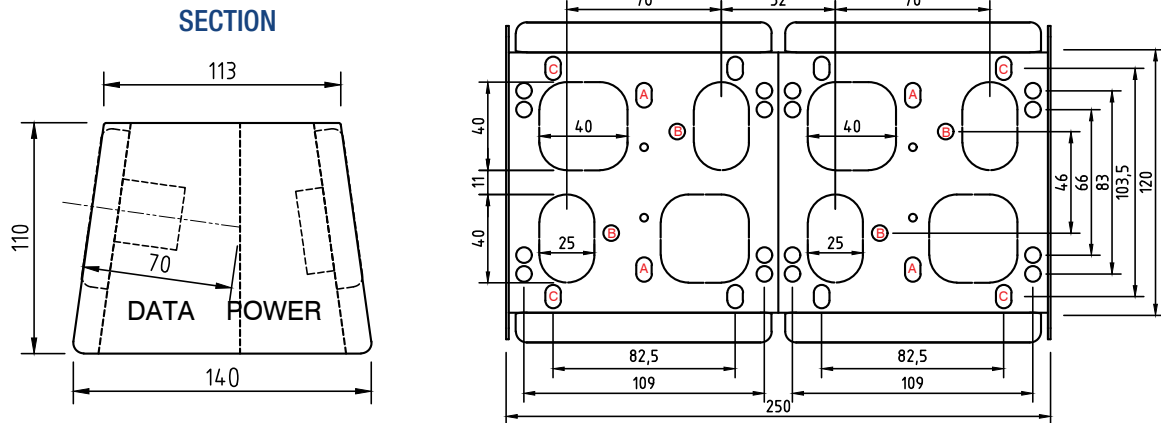
ABN 80005544105

## ASSEMBLY DIAGRAM

### ABOVE FLOOR BOX – FOUR OUTLETS – AFB20/2



FLOOR BOX BASE DETAIL



### MOUNTING HOLE DETAILS PER DUCT TYPE

HOLES	DUCT	ORIENTATION	METHOD	PART NO.
A	FFD10012FR	Outlets parallel to duct	Direct screw to duct	FFD10012AP20
A	FFD10012DCR	Outlets parallel to duct	Direct screw to duct	FFD10012AP20
A	FFD10012SR	Outlets parallel to duct	Via mounting plate	FFD10012AP20/2SR
A	FFD10012SM	Outlets parallel to duct	Via mounting plate	FFD10012AP20/2SM
B	FFD13018	Outlets parallel to duct	Via mounting plate	FFD13018AP20/2
B	AFD13018	Outlets parallel to duct	Via mounting plate	AFD13018K
B	FFD15035	Outlets parallel to duct	Via mounting plate	FFD15035AP20/2
C	AFD35	Outlets parallel to duct	Via mounting plate	AFD35K20/2/3

Contact ECD for suitability with other floor duct models.