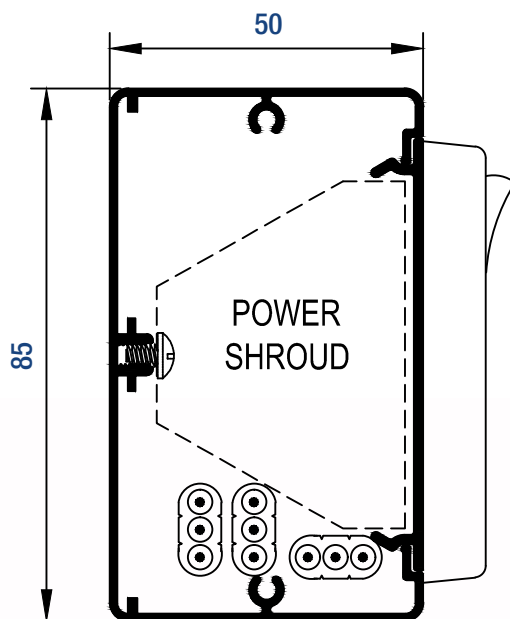


Wall Duct – Single Compartment

At a glance...

- Size: 85x50mm
- Outlets: Standard Size
- Cover: "Snap-fit" Aluminium
- Stock Colours: Natural Anodised
- Suitable for: Category 6A Cabling



- The WD8550 Wall Duct is constructed from extruded aluminium with an extruded aluminium snap in lid.
- The tamper proof lid makes this duct ideal for bench, wall and riser applications with no visible fixings.
- The WD8550 Wall Duct is also available as a two compartment duct – WD8550/2
- Suitable for Category 6A data cabling.
- Duct and covers are supplied natural anodised as standard.
- An extensive range of powder coated colours are available to order.
- This product has been examined in accordance with AS 3000 and conforms to A.C.M.A. requirements.

"Easy as ECD"



ECD

ESTABLISHED 1979

Electric Cable Duct Systems P/L

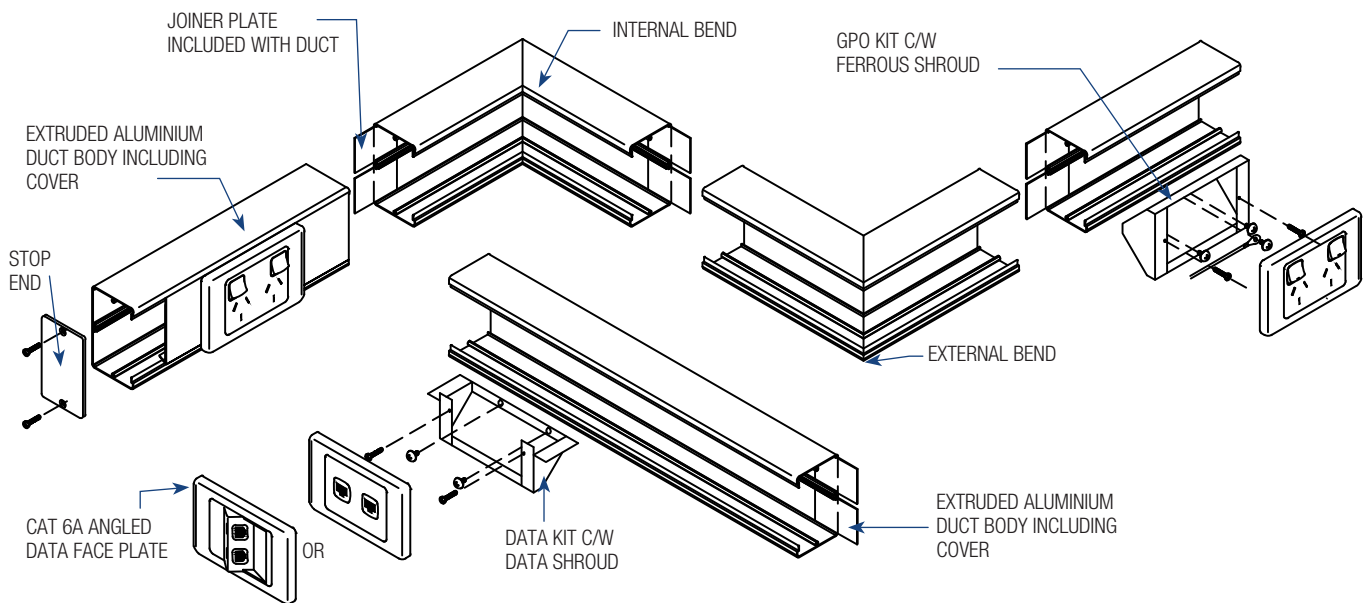
Phone: 1300 123 ECD (323)

Email: info@ecd.net.au

Fax: 1300 372 825

website: www.ecd.net.au

ABN 80005544105



SUGGESTED SPECIFICATION

- The contractor shall allow to supply and install Electric Cable Duct Systems P/L Cat No. WD8550 Wall/Bench duct and cover (85x50mm) surface mounted or as otherwise nominated.
- The body and lid of the duct shall be extruded aluminium, Natural Anodised or powder coat as nominated by the architect.
- The system shall be earthed in accordance with AS3000 wiring rules and conform to A.C.M.A. requirements.
- The internal/external corners shall be site mitred to fine tolerances with concealed reinforcing angles riveted in position or alternatively manufactured internal/external bends
- Adjacent lengths of duct body shall be splice joined with slide in joiner plates.
- Screw fixed stop ends shall be fitted where necessary.
- GPO's shall be mounted to the duct body using GPO mounting kits including ferrous metal shroud and earth wire.
- Power circuits within the duct shall be double insulated cable.
- Data outlets shall be mounted to the duct body using data mounting kits including ferrous metal data shroud.

PARTS LIST

DESCRIPTION	PART NO.	COLOUR
Duct Body and Clip In Cover (3m lengths) incl. Joining Kit	WD8550D	Nominate (see below)
GPO Kit c/w power shroud	WD8550K	
Data Kit c/w data shroud	WD8550VDK	
Stop End	WD8550SE	Nominate (see below)
External Bend	WD8550EB	Nominate (see below)
Internal Bend	WD8550IB	Nominate (see below)
Cat 6A Angled Data Face Plate	88DP2	Nominate (see below)

Nominate Colour/Finish: BK=Black, WE=White, GY=Apo Grey, NA=Natural Anodised

CABLE CAPACITY CHART (ALLOWS FOR 60% AIR SPACE)

POWER CABLES		DATA CABLES		
2.5 mm ²	4.0 mm ²	Cat. 5E	Cat. 6	Cat. 6A
26	12	75	44	26