

COMMANDER SERIES Flush Floor Box Recessed Plastic**AT A GLANCE...**

- Capacity: 2 x single auto switch power outlets and 3 x data mounts
- Box Size: 240 x 150 x 70 mm Deep
- Lid Material: Moulded Polyamide – Grey
- Lid Recess: 7 mm Deep
- Suitable for: Cat6A & 7A Cabling

“Easy as ECD®”

- Moulded Polyamide Lid and Frame with 7 mm rebate for floor finish (typically carpet or vinyl).
- Capacity for 2 x single auto switch power outlets and 3 x data mounts.
- Robust and large capacity cable exit flap with retracting lifting handle.
- Suitable for category 6A and 7A data cabling with generous bend radius capacity.
- Suitable for Audio / Video outlets including VGA, HDMI, USB, etc.
- Standard colour Grey (RAL 7011 – Iron Grey). Other colours available to order (minimum quantities and charges may apply).
- Modular box body and lid design, interchangeable with stainless steel and other lids in the ECD® floor box range.
- Supplied with temporary construction lid.
- Option to fit cam lock if required.



ESTABLISHED 1979

Electric Cable Duct Systems P/L

Phone: 1300 123 ECD (323)

Email: info@ecd.net.au

Fax: 1300 372 825

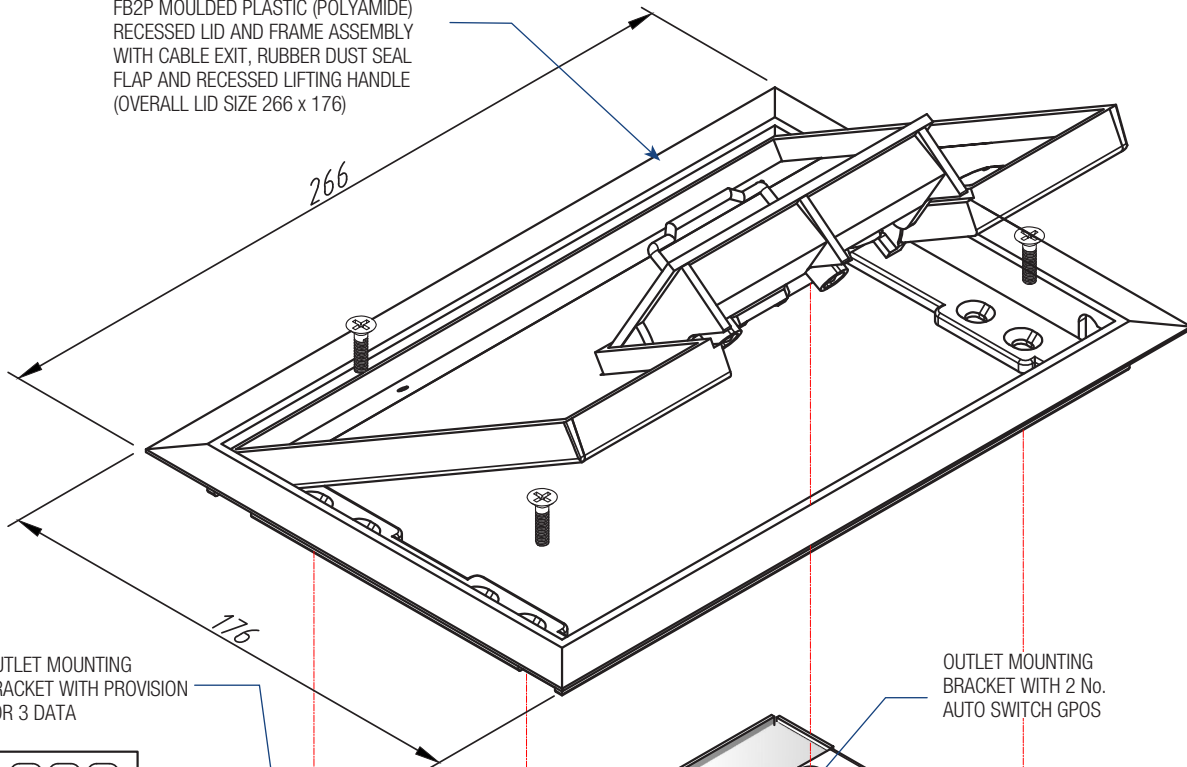
website: www.ecd.net.au

ABN 80005544105

ASSEMBLY DIAGRAM

COMMANDER SERIES FLUSH FLOOR BOX – RECESSED PLASTIC – FB2P70

FB2P MOULDED PLASTIC (POLYAMIDE)
RECESSED LID AND FRAME ASSEMBLY
WITH CABLE EXIT, RUBBER DUST SEAL
FLAP AND RECESSED LIFTING HANDLE
(OVERALL LID SIZE 266 x 176)

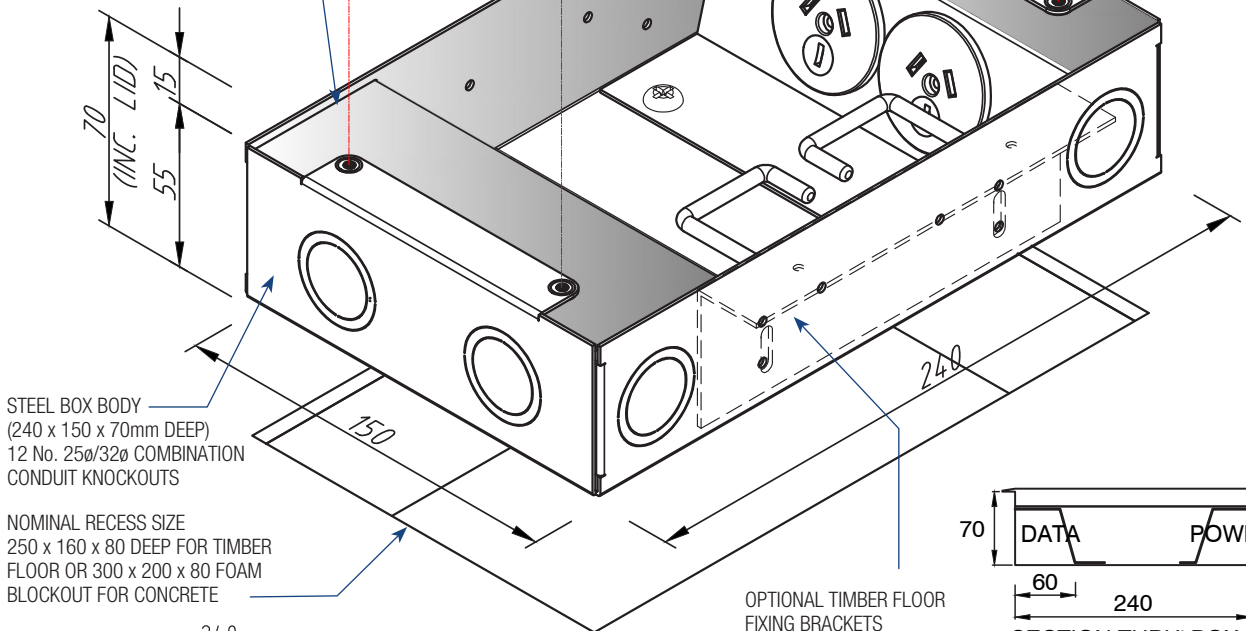


OUTLET MOUNTING
BRACKET WITH PROVISION
FOR 3 DATA



DATA PLATE VIEW

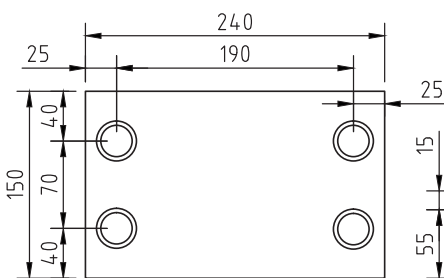
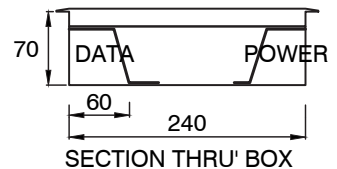
OUTLET MOUNTING
BRACKET WITH 2 No.
AUTO SWITCH GPOS



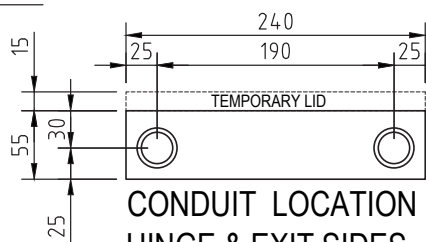
STEEL BOX BODY
(240 x 150 x 70mm DEEP)
12 No. 25ø/32ø COMBINATION
CONDUIT KNOCKOUTS

NOMINAL RECESS SIZE
250 x 160 x 80 DEEP FOR TIMBER
FLOOR OR 300 x 200 x 80 FOAM
BLOCKOUT FOR CONCRETE

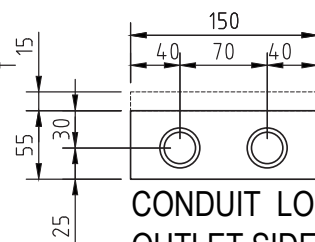
OPTIONAL TIMBER FLOOR
FIXING BRACKETS
PART No. FBTFB



CONDUIT LOCATION
BOX BASE



CONDUIT LOCATION
HINGE & EXIT SIDES



CONDUIT LOCATION
OUTLET SIDES